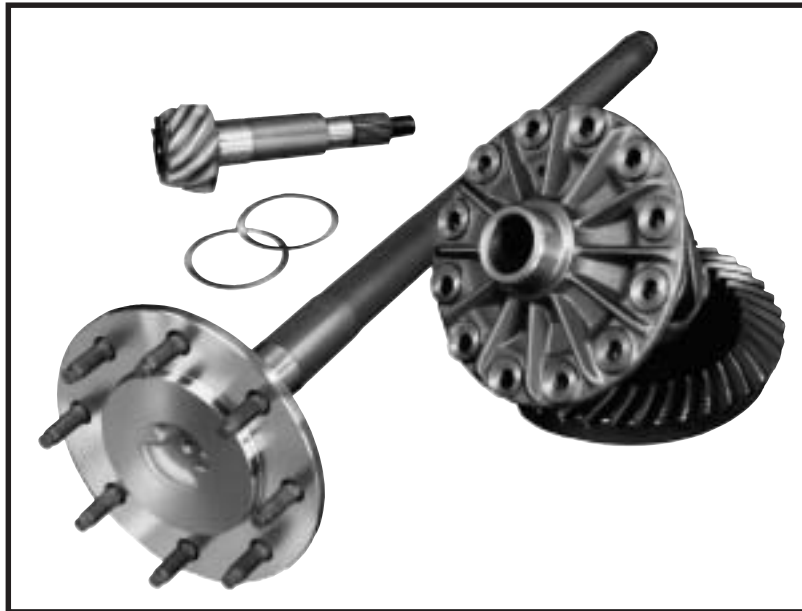




Ford 1999-2005

Light Duty Axle Applications



X510-2
January, 2002

Supersedes X510-2DSD
dated September 2000



SAFETY INFORMATION



WARNING - Failure to follow these instructions could affect vehicle performance and/or safety and result in personal injury or death.

- **Do not convert or alter Spicer axles except in accordance with vehicle manufacturer's instructions.**

Spicer axles are designed to meet OEM vehicle manufacturer's design and performance specifications. Improper conversion or alteration of these axles can damage the axles and/or other vehicle systems. Contact the OEM manufacturer for specific directions and guidelines.

- **Do not change axle gear ratios on vehicles with anti-lock braking systems except in accordance with the vehicle manufacturer's instructions.**

Vehicles with anti-lock braking systems may utilize sensors and tone rings within the axle housings to ensure the functioning of the anti-lock brakes. Improperly changing the axle ratios may defeat the anti-lock braking system. If changing axle ratios will require changing the location of the tone ring on the ring gear flange relative to the location of the sensor in the axle housing, contact the OEM manufacturer for specific directions and guidelines.

- **Do not reuse or substitute ring gear bolts.**

If you reuse a ring gear bolt or substitute an inferior quality bolt, the bolt may loosen or back out of its threaded hole, causing severe damage to the axle gears and other components and possibly resulting in a sudden "locking up" of the axle and loss of control of the vehicle. Always use new bolts specifically recommended for the application and install bolts using proper tools and torquing to the proper specifications.



CAUTION - Do not substitute parts not of Spicer quality.

Spicer axles are designed for each model vehicle, and manufactured and tested for safety and best performance. Replacement parts from other manufacturers may not be made to Spicer's rigid quality standards. To be sure you're getting Spicer quality, always use genuine Spicer parts.



This symbol warns of possible personal injury.

CONTENTS

How to Use This Catalog	4
General Information	6
Axle Kits	8
Model Super 30 /186 Front Axles	
Explorer	
Exploded View	10
Parts Listing	11
Bill of Material Table	11
Model 35 /194 Axles with CV Joints	
Explorer, Ranger & Sport Trac Pick-up	
Exploded View	14
Parts Listing	15
Bill of Material Table	16
Model 50 /229 Front Axles	
F-250 & F-350	
Exploded View	18
Parts Listing	19
Variable Parts Table	19
Bill of Material Table	20
Model 60 /248 Front Axles	
F-250, F-350, F-450 & F-550	
Exploded View	22
Parts Listing	23
Bill of Material Table	24
Variable Parts Table	25
Model 60 /248 Front Axles	
E-250 & E-350	
Exploded View	28
Parts Listing	29
Bill of Material Table	30
Variable Parts Table	33
Model 70 /267 Rear Axles	
E-350 & E-450	
Exploded View	36
Parts Listing	37
Bill of Material Table	38
Variable Parts Table	39
Model 80 /286 Rear Axles	
E-350, E-450, F-350, F-450 & F53 Motor Home	
Exploded View	42
Parts Listing	43
Bill of Material Table	44
Variable Parts Table	48
Camber/ Casting Bushing Table	51
Differential Bearing Adjustment Shim Table	52

How to Use This Catalog

This catalog contains applications and part listings for front and rear axles which fit Ford vehicles from model years **1999-2002**. For information on model years between **1967-1978**, please refer to catalog X510-8DSD; Ford model years **1979-1999** refer to X510-9. For miscellaneous models from years **1979-1984**, please refer to X510-7DSD.

The data in this publication is arranged by make, then in numerical order by model for front axles and then for rear axles. Each model contains the following three sections as appropriate:

- Parts Listing and Exploded View**

This section contains an exploded view of the axle and lists all the part numbers for those parts illustrated. The parts that do not have a common part number have a footnote reference indicating where to find the correct part number for each Bill of Material.

X510-2

80 /286 Rear Parts Listing



ITEM NO.	PART NUMBER	DESCRIPTION	ITEM NO.	PART NUMBER	DESCRIPTION
1	-(3)	Housing - Axle Service	25	42413	Pinion - Differential (std)
2	-(1)	Drive Pinion & Gear kit	26	-(2)	Gear - Differential (std)
3	-(2)	Inner Pinion Bearing Kit	27	35082	Thrustwasher - Diff Pinion (std)
	-(2)	KIT - Pinion Brg Adj Shim (inc 4, 5, 11, 12)	28	34729	Thrustwasher - Diff Gear (std)
4	-(2)	KIT - Diff & Pinion Shim (inc 4, 5, 10, 11, 20)	29	46640	Shaft - Differential (std)
	-(2)	Inner Pinion Adj Shim	30	-(2)	Seal - Oil (Inner Wheel)
			31	-(2)	Bearing Cone - Inner Wheel
				-(3)	Bearing Cup - Inner Wheel

- Bill of Material Table**

This section contains vehicle applications listed in order by year. Included in the table are the major kits and assemblies for each Bill of Material number.



80 /286 Rear Bill of Material Table

X510-2

Axle			Axle Kits				Shaft & Joint Assy.	
Bill of Material	Diff. Type	Ratio	Ring Gear & Pinion Kit ⁽¹⁾	Differential			Right Hand Shaft Assy.	Left Hand Shaft Assy.
				Case Assy. Kit ⁽²⁾	Case Kit	Inner Parts Kit		
1999 E-350 Super Duty - DRW - Full Float								
606144-1	Standard	4.10	707361-12X	707330X	707230X	707063X	46930-1	46930-2
606144-3	Standard	4.63	707361-5X	707330X	707230X	707063X	46930-1	46930-2
1999 1/2 E-450 Super Duty DRW w/ABS								
606217-1	Standard	4.10	707361-12X	708031	708032	707063X	46930-1	46930-2
606217-2	Standard	4.63	707361-13X	708031	708032	707063X	46930-1	46930-2
1999 1/2 F-450 Motor Home DRW-Full Float w/ABS								
605944-1	Standard	5.38	708120-11	707394X	707395X	707185X	47852-1	47852-1

- **Variable Parts Table**

This section contains the individual part numbers that vary by Bill of Material number for a given model.

X510-2		80 /286 Rear Variable Parts Listing					
		Kits & Parts - Use With All Applications					
Description & Item Number (Refer to "Exploded View" at the front of this section)		Bills of Material					
		605944	606144 606217	606224	606225	606226 606227	
1	Inner Pinion Bearing Kit	3	707447X	707065X	707447X	707447X	707447X
2	KIT - Pinion Brg Adj Shim	-	707480X	707066X	707480X	707480X	707480X
3	KIT - Diff & Pinion Shim	-	707481X	707365X	707481X	707481X	707481X
4	Seal - Oil	-	51180	-	51180	51180	51180
5	End Yoke or Comp.Flange (inc 10)	9	3-4-11281-1X	76809X	84061	84062	84061
6	Slinger - End Yoke	10	231872	42432	51182	51182	51182
7	KIT - Carrier Cover	-	707478X	707231X	707479X	707478X	707479X
8	Cover - Carrier	13	47843	42434	47717-1	47843	47717-1
9	Bolt - Carrier Cover (qty 10)	15	34822	34822	34822	47508	34822

Note: Additional information on Spicer axles can be found in our General Information catalog number XGI. It contains the following sections:

- Bill of Material Numerical Listing
- Ring and Pinion Kits
- Differential Case Assembly Kits
- Axle Shaft Dimension and Components

General Information

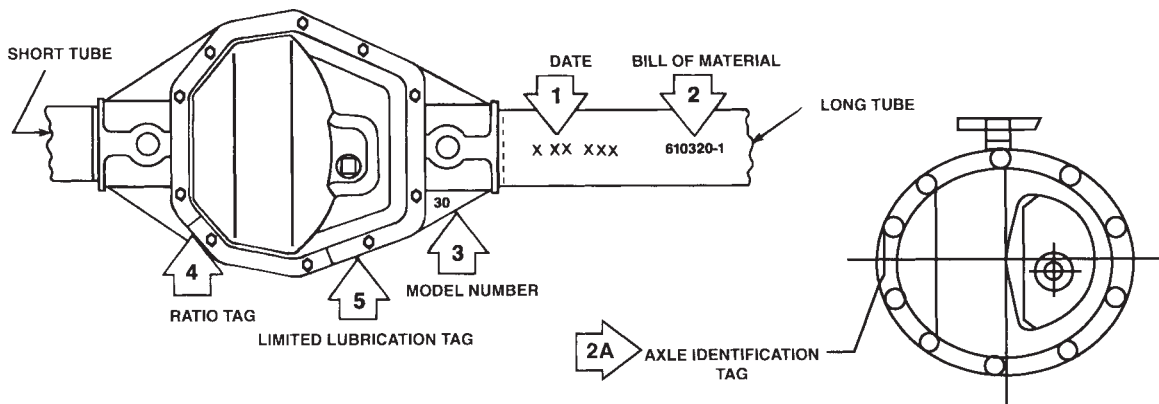
How To Identify A Spicer Axle

All Spicer Carrier Type axles are identified with a manufacturing date (1) and Bill of Material number (2) stamped on the right or left hand tube on driving axles. The Bill of Material number may also be found on the carrier in some models as shown in illustration (2A). For independent front suspension (IFS) axles, the B/M number may be located at one of three locations: 1). A vertically positioned tag near the center of the right hand side support arm, 2) stamped into the left hand side support arm (opposite end of the camber adjuster), or 3) stamped into the "nose end" of the axle carrier. The location of the information will depend on the manufacturing date of the axle.

The axle model number will be cast into one of the webs as shown (3), or it can be on the nose.

Each axle contains a gear ratio tag (4), and if the axle is equipped with a limited slip differential, it will have a tag specifying the type of limited slip lubricant to be used (5).

Refer to the appropriate model number section for parts identification and a breakdown of the Bill of Material.



How To Change Gear Ratios

To increase or decrease a gear ratio, there are certain steps that must be taken. The differential case depends upon the ratio desired. For each axle model, there is a high-ratio and a low-ratio case as illustrated below:

Axle Model	Low Ratio Case	High Ratio Case	Axle Model	Low Ratio Case	High Ratio Case
Model 27	3.73 and Down	3.92 and Up	Model 50	4.10 and Down	—
Model 28	3.45 and Down	3.73 and Up	Model 60	4.10 and Down	4.56 and Up
Model 28 IFS Aerostar	2.27, 3.73	—	Model 61		
Model 30	3.55 and Down	3.73 and Up	Semi Float	3.00 and 3.07 only	
Model 35	2.35 only	—	Model 61		
Model 35	2.73 - 3.31	3.54 and Up	Full Float	3.31 and Down	3.54 and Up
Model 36 ICA	2.73 and Down	3.07 and Up	Model 70	4.10 and Down	4.56 and Up
Model 44	3.73 and Down	3.92 and Up	Model 70-3HD	3.42 and Down	3.73 and Up
Model 44 ICA			Model 70-2UA	3.07 only	—
1984 & earlier	3.73 and Down	3.92 and Up	Model 80	3.73 and Down	4.10 and Up
Model 44 ICA					
1985 & later	2.87 and Down	3.07 and Up			

Example - If you have a model 44 Rear Axle with a 3.54 ratio and wish to change to a 3.73 ratio, you change only the ring gear and pinion assembly. If you change the ratio to a 4.09, you must change to a high-ratio case in addition to changing the ring gear and pinion. The application section will show you what case to use. When the vehicle is equipped with both front and rear driving axles, the gear ratios must be the same in both axles. **The drive gear screws are self-locking and must be replaced with new screws each time that they are removed.**

How Limited Slip Differentials Operate

A conventional differential transmits all the ring gear torque through the differential gears to the axle shafts. Torque is at all times equal on the axle shafts, and if one wheel slips, the other wheel can only put out as much torque as the slipping wheel.

The Spicer Limited Slip differential has the same power flow as a conventional differential, plus a more direct flow which automatically takes effect as driving conditions demand. This more direct power flow is from the differential case to each axle shaft through a clutch plate and disc arrangement.

Arrangement of these plates and discs is at the option of the vehicle manufacturer, so care should be taken during disassembly to note the arrangement of these components.

The Limited Slip construction permits differential action when required for turning corners and transmits equal torque to both wheels when driving straight ahead. However, when one wheel tries to spin due to leaving the ground, a patch of ice, etc., the clutch packs automatically provide more torque to the wheel which is not trying to spin.

The Limited Slip differential resists wheel spin on bumpy roads and provides more pulling power when one wheel tries to slip. In many cases of differences in traction, pulling power will be automatically provided until both wheels start to slip.

In diagnosis of vehicle operators' complaints, it is important to recognize two things.

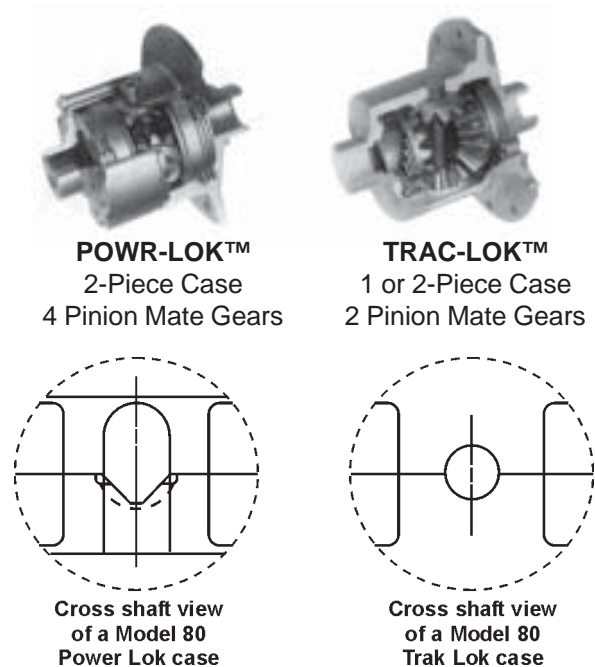
1. If, with unequal traction, both wheels slip, the Limited Slip Differential has done all it can possibly do.
2. In extreme cases of differences in traction, the wheel with the least traction may spin after the Limited Slip has transferred as much torque as possible to the non-slipping wheel.

How To Distinguish a Powr-Lok™ from a Trac-Lok™

All Models **except Model 80 /286**: The Powr-Lok design is identified by its 2-piece case. The Trac-Lok design is identified by its 1-piece case.

Model 80 /286 only: Both the Powr-Lok and the Trac-Lok use 2-piece cases in the model 80 (286) axle. The difference between the two is in the shape of the holes for the cross shaft. The Powr-Lok case will have cross shaft holes that are "U" shaped in one case half and "V" shaped in the other case half. The Trac-Lok case will have cross shaft holes that are semicircles in both case halves.

It is also possible to replace an existing Powr-Lok unit with a complete Trac-Lok unit. For this purpose, the differential case assembly must be replaced.



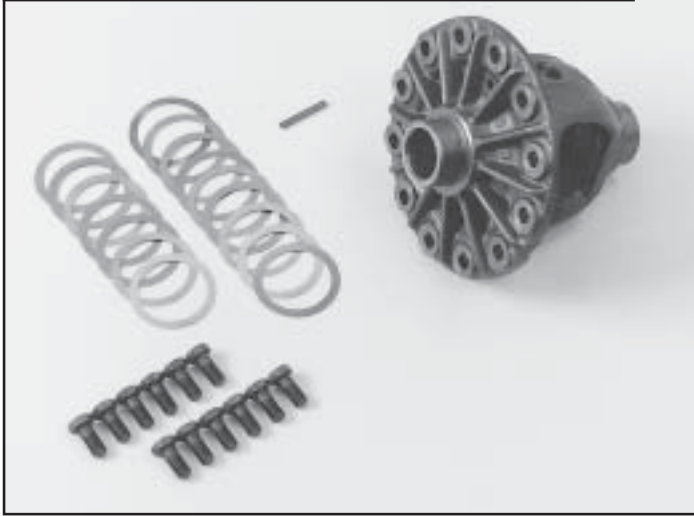
How To Obtain Special Service Tools

Special service tools (see service manuals) can be obtained from the following company:

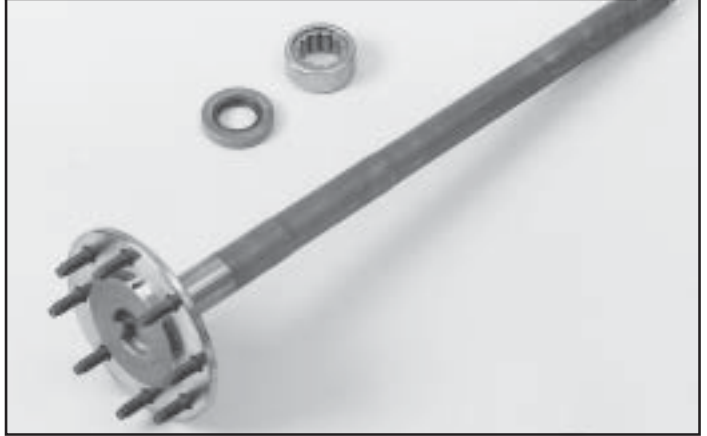
Kent-Moore
OE Tool and Equipment Group
SPX Corporation
28635 Mound Road
Warren MI 48092-3499
(800) 345-2233

SPICER[®] LIGHT AXLE KITS

DIFFERENTIAL CASE KIT



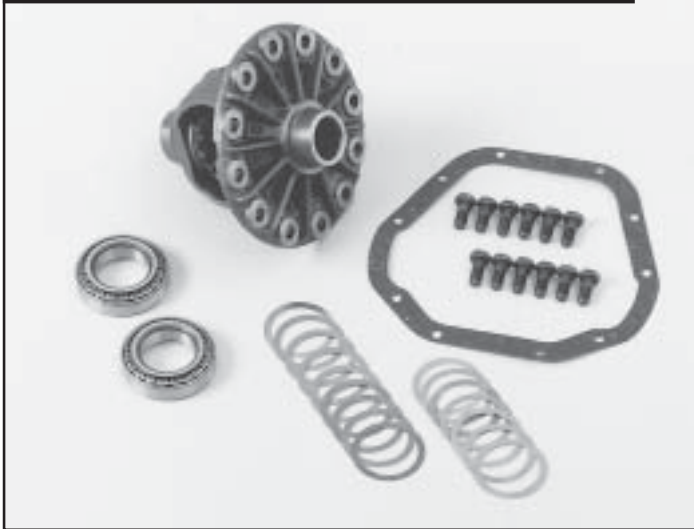
SHAFT ASSEMBLY KIT



DRIVE PINION & GEAR ASSEMBLY KIT



DIFFERENTIAL CASE ASSEMBLY KIT



CARRIER COVER KIT

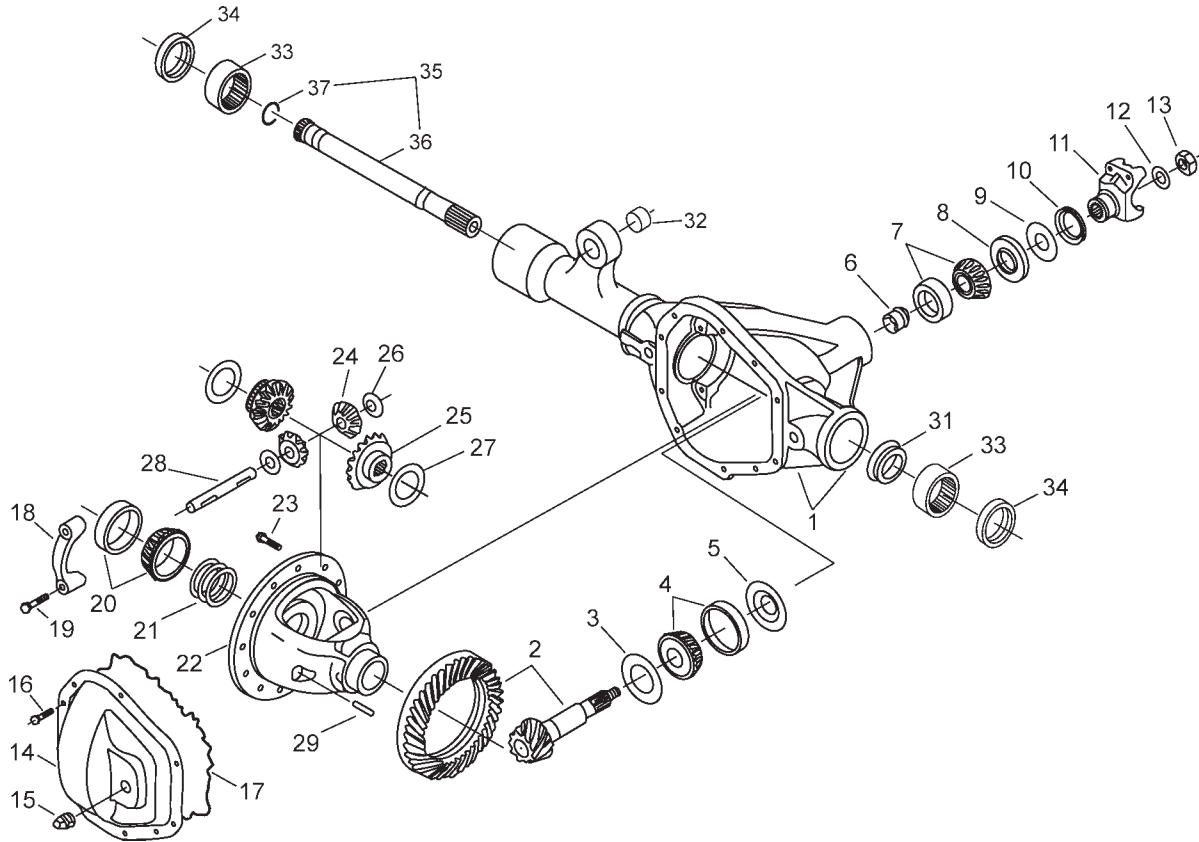


DIFFERENTIAL INNER PARTS KIT



Model Super 30 /186 Front Axles for Explorer

Super 30 /186 Front for Explorer Exploded View



Super 30 /186 Front for Explorer Parts Listing

ITEM NO.	PART NUMBER	DESCRIPTION	ITEM NO.	PART NUMBER	DESCRIPTION
1	-(3)	Housing - Axle Service	19	40284-1	Bolt - Differential Bearing
2	-(1)	Ring Gear & Pinion Kit	20	706016X	Differential Bearing Kit
3	701112X	PKG - Pinion Adj Shim	21	701004X	PKG - Diff Adjustment Shim
4	706015X	Inner Pinion Bearing Kit	22	-(4)	Case - Differential
5	43599	Baffle - Pinion Oil	23	41221	Bolt - Drive Gear (qty 10)
6	44228	Collapsible Spacer	24	32926	Pinion - Differential
7	706894X	Outer Pinion Bearing Kit	25	48231	Gear - Differential
8	42778	Slinger - Outer Pinion Brg.	26	34096	Thrustwasher - Diff Pinion
9	51501	Seal - Pinion	27	40027	Thrustwasher - Diff Gear
10	46914	Slinger - End Yoke	28	41648	Shaft - Differential
11	2-4-6901-1X	End Yoke Assembly (inc 10)	29	13449	Lock - Differential Shaft
12	30186	Washer - Pinion Nut	30	46065	Seal - Oil
13	30185	Nut - Pinion	31	566121	Bearing Assembly
	-(3)	KIT - Carrier Cover (inc 14,15,16)	32	47272	Bushing - Rubber
14	-(3)	Cover - Carrier	33	566063	Bearing Assembly
15	43180	Plug - Carrier Cover	34	46066	Seal - Oil
16	40286-5	Bolt - Carrier Cover (qty 10)	35	80297	Shaft Assembly (inc 36 & 37)
17	38615	RTV - Silicone Sealant	36	49807	Shaft - Output
18	-(4)	Cap - Differential Bearing	37	46072	Snap Ring

- (1) See "Bill of Material Table" below
 (3) Contact Vehicle Manufacturer
 (4) Not Sold Separately

Bill of Material Table

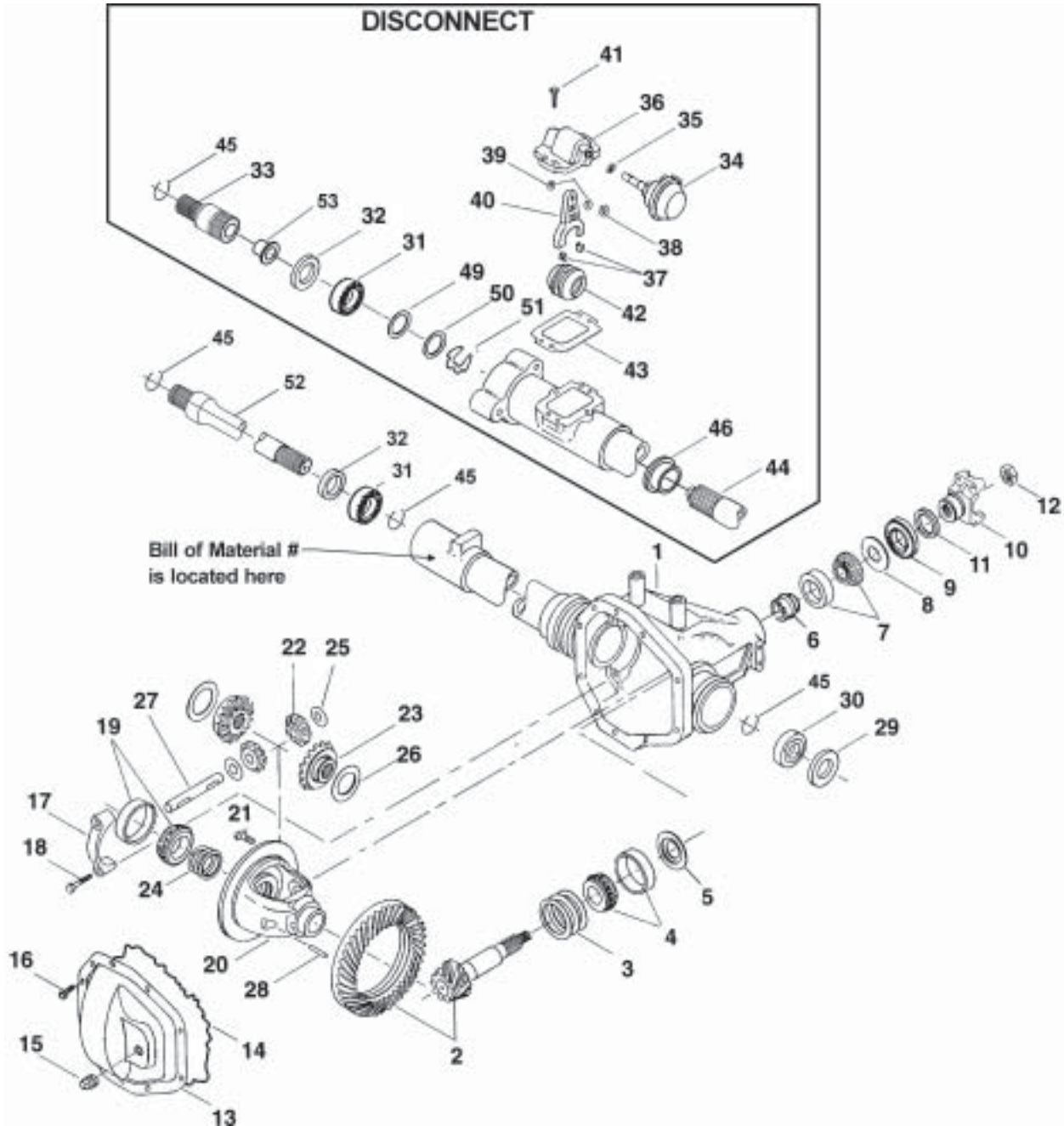
Axle			Axle Kits				Shaft & Joint Assy.	
Bill of Material	Diff. Type	Ratio	Ring Gear & Pinion Kit ⁽⁷⁾	Differential			Right Hand Shaft Assy.	Left Hand Shaft Assy.
				Case Assy. Kit ⁽⁸⁾	Case Kit	Inner Parts Kit		
2001 Explorer								
610833-2	Standard	355	708098-2	708100	706007X	708102	—(3)	—(3)
610833-3	Standard	373	708098-3	708101	706008X	708102	—(3)	—(3)

- (3) Contact Vehicle Manufacturer
 (7) See Ring Gear & Pinion Kits in XGI Catalog for ratio & tooth combinations.
 (8) See Differential Case Assy Kits in XGI Catalog for spline data & ratios.

NOTES

**Model 35 /194
Front Axles with CV Joints for
Explorer, Ranger &
Sport Trac Pick-Up**

35 /194 Front with CV Joints Exploded View



35 /194 Front with CV Joints Parts Listing

ITEM NO.	PART NUMBER	DESCRIPTION	ITEM NO.	PART NUMBER	DESCRIPTION
1	-(3)	Housing - Axle Service	29	46065	Seal - Oil
2	-(1)	Ring Gear & Pinion Kit	30	566121	Bearing
3	701130X	PKG - Pinion Adj Shim	31	566063	Bearing (Discon/Non-Discon)
4	707162X	Inner Pinion Bearing Kit	32	46066	Seal - Oil (Discon/Non-Discon)
5	43599	Baffle - Pinion Oil	33	75117X	Shaft-Axle Assy (Discon)(inc 45,53)
6	42102	Collapsible Spacer		75118X	Cover & Motor Assembly (Discon)
7	706894X	Outer Pinion Bearing Kit			(inc. 34, 35, 36, 37, 38, 39, 40)
8	42778	Slinger - Outer Pinion Bearing	34	-(4)	Motor Assembly
9	51501	Seal - Pinion	35	-(4)	O-Ring
10	2-4-6901-1X	End Yoke Assembly (inc 11)	36	-(4)	Cover - Disconnect Hsg.
11	42779	Slinger - End Yoke	37	621059	Clips - Shift Fork
12	44189	Nut - Pinion	38	-(4)	Snap Ring
13	47446	Cover - Carrier	39	620979	Snap Ring
14	38615	RTV Silicone Sealant	40	42585	Shift Fork
15	43180	Plug - Carrier Cover	41	46071	Bolt - Cover & Motor Assy'
16	40286-5	Bolt - Carrier Cover (qty 10)	42	42998	Clutch Collar (Discon)
17	-(4)	Cap - Differential Bearing	43	46220	Gasket (Discon)
18	40284-1	Bolt - Differential Bearing	44	46068	Shaft - Output(Discon)
19	706016X	Differential Bearing Kit	45	46072	Snap Ring
20	-(4)	Case - Differential	46	43342	Bushing (Discon)
21	41221	Bolt - Drive Gear (qty 8)	N.I.	42499-2	Bolt (Discon)
22	46504	Pinion - Differential	N.I.	46077	Protection Shield (Discon)
23	46502	Gear - Differential	49	46075	Thrustwasher (Discon)
24	701004X	Pkg. - Differential Adj Shim	50	46076	Thrustwasher (Discon)
25	34096	Thrustwasher - Diff Pinion	51	46073	Snap Ring (Discon)
26	34095	Thrustwasher - Diff Gear	52	80297	Shaft Assy.(Non-Discon)(inc 45)
27	41648	Shaft - Differential	53	43337	Bushing (Discon)
28	13449	Lock - Differential Shaft			

(1) See "Bill of Material Table" on next page
(3) Contact Vehicle Manufacturer
(4) Not Sold Separately
N.I. = Not Illustrated

35 /194 with CV Joints Bill of Material Table

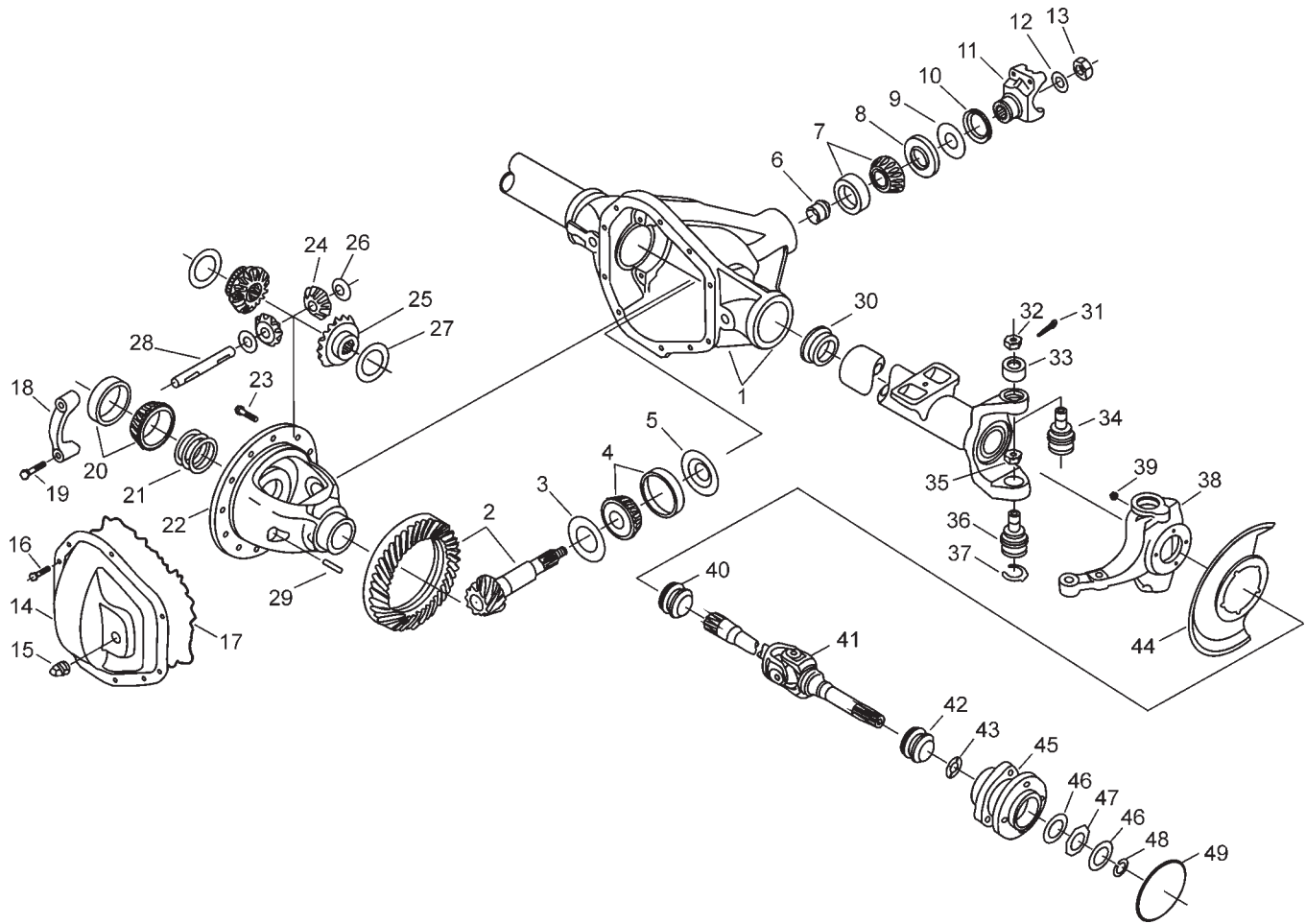
Axle			Axle Kits				Shaft & Joint Assy.	
Bill of Material	Diff. Type	Ratio	Ring Gear & Pinion Kit ⁽⁷⁾	Differential			Right Hand Shaft Assy.	Left Hand Shaft Assy.
				Case Assy. Kit ⁽⁸⁾	Case Kit	Inner Parts Kit		
1999 Explorer - Non-Disconnect - CV								
610774-1	Standard	327	707359-1X	707378X	707360X	707379X	— (3)	— (3)
610774-2	Standard	355	707359-2X	707378X	707360X	707379X	— (3)	— (3)
610774-3	Standard	373	707359-3X	707378X	707360X	707379X	— (3)	— (3)
610774-4	Standard	410	707359-4X	707378X	707360X	707379X	— (3)	— (3)
2000 Sport Trac Pick-Up								
611044-1	Standard	373	707359-3X	707378X	707360X	707379X	— (3)	— (3)
611044-2	Standard	410	707359-4X	707378X	707360X	707379X	— (3)	— (3)
2001 Ranger								
611053-1	Standard	456	707359-5X	707378X	707360X	707379X	— (3)	— (3)

(7) See Ring Gear & Pinion Kits in XGI Catalog for ratio & tooth combinations.

(8) See Differential Case Assy Kits in XGI Catalog for spline data & ratios.

**Model 50 /229
Front Axles for
F-250 & F-350**

50 /229 Front Exploded View



50 /229 Front Parts Listing



ITEM NO.	PART NUMBER	DESCRIPTION	ITEM NO.	PART NUMBER	DESCRIPTION
1	-(3)	Housing - Axle Service	27	50718	Thrustwasher - Diff Gear
2	-(1)	Ring Gear & Pinion Kit	28	620414	Shaft - Differential
3	701112X	PKG. - Inner Pinion Adj. Shim	29	44810	Lock - Differential
	701160X	PKG. - Diff & Pinion Shim	30	48773	Seal - Oil
4	706015X	Inner Pinion Bearing Kit		700238-1X	KIT - Socket Assembly (inc 30,31,32,33,34,35,36)
5	47742	Baffle - Pinion Bearing	31	500024-8	Pin - Cotter
6	44896	Collapsible Spacer	32	44101	Nut - Slotted
7	706030X	Outer Pinion Bearing Kit	33	44507	Bushing
8	13575	Slinger - Pinion Bearing Outer	34	47184	Upper Socket Assy
9	-(2)	Seal - Pinion	35	44133	Nut - Lock
10	47762	Seal - End Yoke	36	47185	Lower Socket Assy
11	3-4-13761-1	End Yoke Assembly	37	620343	Snap Ring
12	30186	Washer - Pinion Nut	38	-(3)	Knuckle (LH/RH)
13	30185	Nut - Pinion	39	48660	Nut - Knuckle
14	47707-1	Carrier Cover	40	50381	Oil Seal
15	43180	Plug - Carrier Cover	41	-(1)	Shaft & Joint Assembly
16	47508	Bolt - Carrier Cover (qty 9)	42	50491	Oil Seal
17	38615	RTV Silicone Sealant	43	47766	Thrustwasher
18	-(3)	Cap - Differential Bearing	44	47758	Dust Shield
19	48632-1	Bolt - Diff Bearing Cap	45	-(3)	Hub Assembly
20	700097	Differential Bearing Kit		701166X	PKG - Thrustwashers (inc 45,46)
21	701006X	PKG - Differential Adj. Shim	46	47760	Thrustwasher
22	-(1)	Case - Differential	47	47759	Thrustwasher
23	45784	Bolt - Drive Gear (qty 10)	48	620142	Snap Ring
24	620436	Pinion - Differential	49	41784-2	O-Ring
25	40432	Gear - Differential			
26	620439	Thrustwasher - Diff Pinion			

- (1) See "Bill of Material Table" on next page
- (2) See "Variable Parts Table" below
- (3) Contact Vehicle Manufacturer

Variable Parts Listing

Kits & Parts - Use With All Applications							
	Description & Item Number (Refer to "Exploded View" at the front of this section)		Bills of Material				
			610654 610659	610892 610893	610979 610992	610993 610999	611071 611194
1	Seal - Pinion	9	47761 (3)	47761 (3)	47761 (3)	47761 (3)	50531

- (3) Contact Vehicle Manufacturer

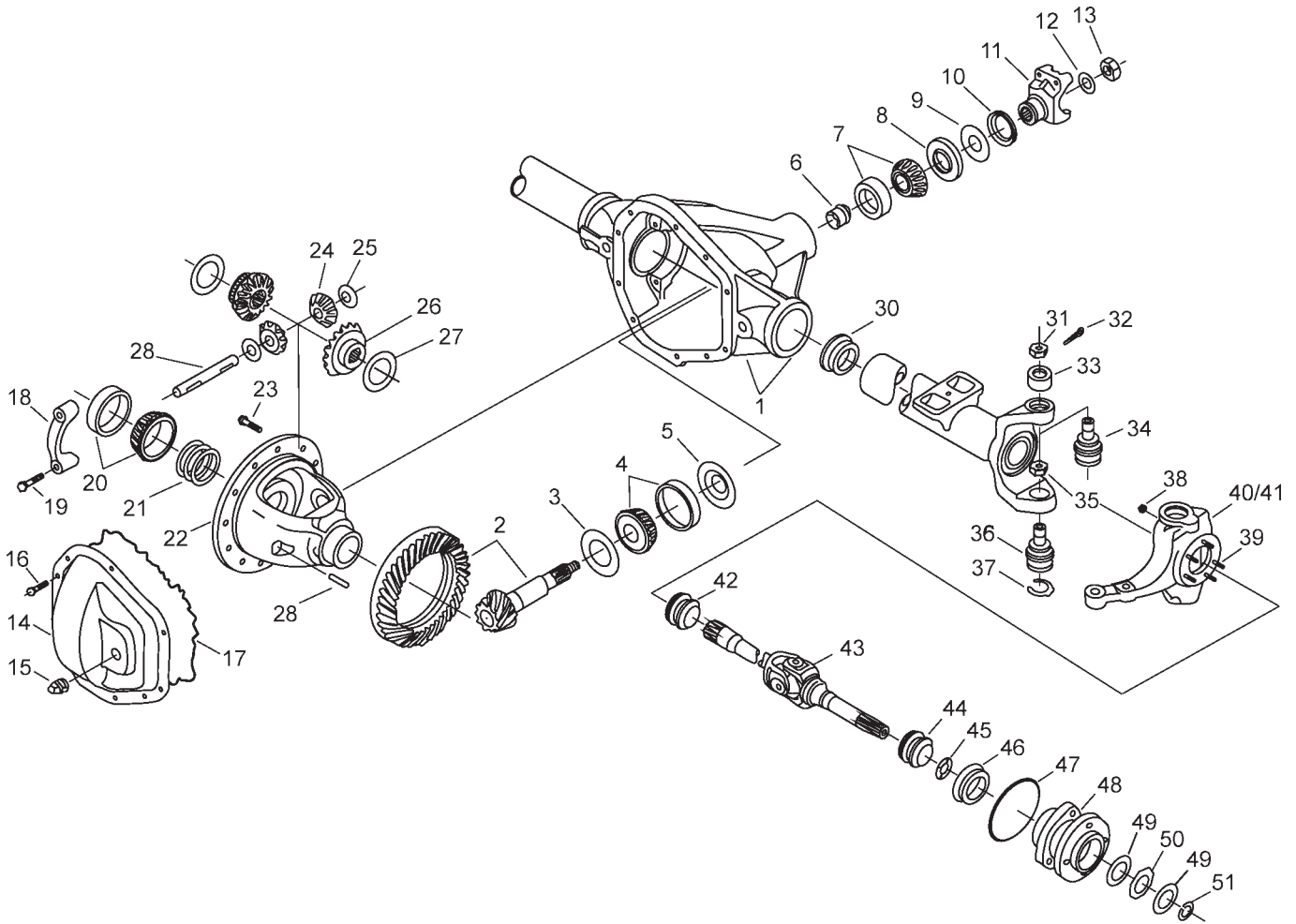
50 /229 Front Bill of Material Table

Axle			Axle Kits				Shaft & Joint Assy.	
Bill of Material	Diff. Type	Ratio	Ring Gear & Pinion Kit ⁽⁷⁾	Differential			Right Hand Shaft Assy.	Left Hand Shaft Assy.
				Case Assy. Kit ⁽⁸⁾	Case Kit	Inner Parts Kit		
1998 1/2-99 F-250/350 SRW (4x4) w/ABS								
610654-1	Standard	3.73	76127-5X (9)	707459X	706917X	706916X	76110-1X	76110-2X
610654-2	Standard	4.10	660319-5 (9)	707459X	706917X	706916X	76110-1X	76110-2X
610654-3	Standard	4.30	76136-5X (9)	707459X	706917X	706916X	76110-1X	76110-2X
1998 1/2-99 F-250/350 SRW (4x4)								
610659-1	Standard	3.73	76127-5X (9)	707459X	706917X	706916X	76110-1X	76110-2X
610659-2	Standard	4.10	660319-5 (9)	707459X	706917X	706916X	76110-1X	76110-2X
610659-3	Standard	4.30	76136-5X (9)	707459X	706917X	706916X	76110-1X	76110-2X
1999 1/2-2000 F-250/350 SRW (4x4) w/ABS								
610893-1	Standard	3.73	76127-5X (9)	707459X	706917X	706916X	76110-1X	76110-2X
610893-2	Standard	4.10	660319-5 (9)	707459X	706917X	706916X	76110-1X	76110-2X
610893-3	Standard	4.30	76136-5X (9)	707459X	706917X	706916X	76110-1X	76110-2X
1999 1/2-2000 F-250/350 SRW (4x4)								
610892-1	Standard	3.73	76127-5X (9)	707459X	706917X	706916X	76110-1X	76110-2X
610892-2	Standard	4.10	660319-5 (9)	707459X	706917X	706916X	76110-1X	76110-2X
610892-3	Standard	4.30	76136-5X (9)	707459X	706917X	706916X	76110-1X	76110-2X
2000 F-250/350 SRW (4x4) w/ABS								
611071-1	Standard	3.73	708122-1	707459X	706917X	706916X	76110-1X	76110-2X
611071-2	Standard	4.10	708122-2	707459X	706917X	706916X	76110-1X	76110-2X
611071-3	Standard	4.30	708122-3	707459X	706917X	706916X	76110-1X	76110-2X
2000 F250/350 Excursion SRW (4x4) w/ABS								
610979-1	Standard	3.73	76127-5X (9)	707459X	706917X	706916X	76110-1X	76110-2X
610979-2	Standard	4.10	660319-5 (9)	707459X	706917X	706916X	76110-1X	76110-2X
610979-3	Standard	4.30	76136-5X (9)	707459X	706917X	706916X	76110-1X	76110-2X
2000 1/2 F-250/350 SRW (4x4) w/ABS								
610993-1	Standard	3.73	76127-5X (9)	707459X	706917X	706916X	76110-1X	76110-2X
610993-2	Standard	4.10	660319-5 (9)	707459X	706917X	706916X	76110-1X	76110-2X
610993-3	Standard	4.30	76136-5X (9)	707459X	706917X	706916X	76110-1X	76110-2X
2000 1/2 F-250/350 SRW (4x4)								
610992-1	Standard	3.73	76127-5X (9)	707459X	706917X	706916X	76110-1X	76110-2X
610992-2	Standard	4.10	660319-5 (9)	707459X	706917X	706916X	76110-1X	76110-2X
610992-3	Standard	4.30	76136-5X (9)	707459X	706917X	706916X	76110-1X	76110-2X
2000 1/2 F250/350 Excursion SRW (4x4) w/ABS								
610999-1	Standard	3.73	76127-5X (9)	707459X	706917X	706916X	76110-1X	76110-2X
610999-2	Standard	4.10	660319-5 (9)	707459X	706917X	706916X	76110-1X	76110-2X
610999-3	Standard	4.30	76136-5X (9)	707459X	706917X	706916X	76110-1X	76110-2X
2001 F-250/350 SRW (4x4)								
611194-1	Standard	3.73	76127-5X (9)	707459X	706917X	706916X	76110-1X	76110-2X
611194-2	Standard	4.10	660319-5 (9)	707459X	706917X	706916X	76110-1X	76110-2X
611194-3	Standard	4.30	76136-5X (9)	707459X	706917X	706916X	76110-1X	76110-2X

(7) See Ring Gear & Pinion Kits in XGI Catalog for ratio & tooth combinations.
(8) See Differential Case Assy Kits in XGI Catalog for spline data & ratios.
(9) Gear set includes ring, pinion and drive gear screws.

**Model 60 /248
Front Axles for
F-250, F-350, F-450 & F-550**

60 /248 Front Exploded View



60 /248 Front Parts Listing

ITEM NO.	PART NUMBER	DESCRIPTION	ITEM NO.	PART NUMBER	DESCRIPTION
1	-(3)	Housing - Axle Service	28	44810	Lock - Differential Shaft
2	-(1)	Drive Pinion & Gear Kit	29	30263	Shaft - Differential
3	701161X	Shim - Inner Pinion Adj Package	30	-(2)	Seal & Guide Tube
	47890	Slinger (used on Dead Front only)		700238-1X	KIT - Socket Assembly (inc 31,32,33,34,35,36 & 37)
4	706046X	Inner Pinion Bearing	31	44101	Nut - Hex Slotted
5	30982	Baffle - Pinion Bearing	32	500024-8	Pin - Cotter
6	45658	Collapsible Spacer	33	44507	Bushing
7	706045X	KIT - Outer Pinion Bearing		-(5)	(Alternate Bushing Selection)
8	42737	Thrustwasher - Bearing	34	47184	Socket - Upper
	-(2)	PKG - Seal (inc 9 & 10)	35	44133	Nut - Hex Jam
9	-(2)	Seal - Pinion	36	47185	Socket - Lower
10	47886	Seal - End Yoke	37	620343	Snap Ring
11	-(2)	End Yoke	38	48660	Nut - Knuckle
12	30275	Washer - Pinion Nut	39	47816	Stud
13	30271	Nut - Pinion	40	-(3)	Knuckle - Right
14	47707-1	Cover - Carrier	41	-(3)	Knuckle - Left
15	43180	Plug - Carrier Cover	42	50381	Seal - Oil
16	47508	Bolt - Carrier Cover (qty 10)	43	-(1)	Shaft & Joint Assembly
17	34687	Gasket - Carrier Cover	44	50491	Seal - Oil
18	-(3)	Cap - Differential Bearing	45	47766	Thrustwasher
19	48632-1	Bolt - Differential Bearing Cap	46	-(2)	Dust Shield
20	706047X	KIT - Differential Bearing	47	41784-2	O-Ring
21	708012	KIT - Diff Brg Adj Shim (inc 17)	48	-(3)	Hub Assembly
22	-(4)	Case - Differential		701166X	PKG - Thrustwasher (inc 49 & 50)
23	40638	Bolt - Drive Gear (qty 12)	49	47760	Thrustwasher
24	34367	Pinion - Differential	50	47759	Thrustwasher
25	34730	Thrustwasher - Diff Pinion	51	620142	Snap Ring
26	35625	Gear - Differential (std)			
27	34729	Thrustwasher - Diff Gear			

(1) See "Bill of Material Table" on next page

(2) See "Variable Parts Table" within this section

(3) Contact Vehicle Manufacturer

(4) Not Sold Separately

(5) See Camber/Casting Bushing Table on page 49.

N.I. = Not Illustrated

60 /248 Front Bill of Material Table

Axle			Axle Kits				Shaft & Joint Assy.	
Bill of Material	Diff. Type	Ratio	Ring Gear & Pinion Kit ⁽⁷⁾	Differential			Right Hand Shaft Assy.	Left Hand Shaft Assy.
				Case Assy. Kit ⁽⁸⁾	Case Kit	Inner Parts Kit		
2000 F350 DRW (4x4)								
610894-1	Standard	3.73	707475-1X (9)	706180X	706040X	706702X	76150-1X	76150-2X
610894-2	Standard	4.10	707475-2X (9)	706180X	706040X	706702X	76150-1X	76150-2X
610894-3	Standard	4.30	707475-3X (9)	706180X	706040X	706702X	76150-1X	76150-2X
610954-1	Standard	4.30	707475-3X (9)	706180X	706040X	706702X	76150-1X	76150-2X
610998-1	Standard	4.30	707475-3X (9)	706180X	706040X	706702X	76150-1X	76150-2X
611072-1	Standard	3.73	708123-1 (9)	706180X	706040X	706702X	76150-1X	76150-2X
611072-2	Standard	4.10	708123-2 (9)	706180X	706040X	706702X	76150-1X	76150-2X
611072-3	Standard	4.30	708123-3 (9)	706180X	706040X	706702X	76150-1X	76150-2X
611074-1	Standard	4.30	708123-3 (9)	706180X	706040X	706702X	76150-1X	76150-2X
2000 F450/550 DRW (4x4)								
610895-1	Standard	4.88	707475-4X (9)	706182X	706041X	706702X	76150-3X	76150-4X
610895-2	Standard	5.38	707475-5X (9)	706182X	706041X	706702X	76150-3X	76150-4X
611073-1	Standard	4.88	708123-4 (9)	706182X	706041X	706702X	76150-3X	76150-4X
611073-2	Standard	5.38	708123-5 (9)	706182X	706041X	706702X	76150-3X	76150-4X
611073-3	Standard	4.30	708123-3 (9)	706180X	706040X	706702X	76150-3X	76150-4X
2000 F450/550 DRW (4X2) Dead Front								
610896								
610897								
2000 1/2 F350 DRW (4x4)								
610994-1	Standard	3.73	707475-1X (9)	706180X	706040X	706702X	76150-1X	76150-2X
610994-2	Standard	4.10	707475-2X (9)	706180X	706040X	706702X	76150-1X	76150-2X
610994-3	Standard	4.30	707475-3X (9)	706180X	706040X	706702X	76150-1X	76150-2X
2000 1/2 F450/550 DRW (4x4)								
610995-1	Standard	4.88	707475-4X (9)	706182X	706041X	706702X	76150-3X	76150-4X
610995-2	Standard	5.38	707475-5X (9)	706182X	706041X	706702X	76150-3X	76150-4X
2000 1/2 F450/550 DRW (4X2) Dead Front								
610996								
610997								
2001 F350 DRW (4x4)								
611195-1	Standard	3.73	708123-1 (9)	706180X	706040X	706702X	76150-1X	76150-2X
611195-2	Standard	4.10	708123-2 (9)	706180X	706040X	706702X	76150-1X	76150-2X
611195-3	Standard	4.30	708123-3 (9)	706180X	706040X	706702X	76150-1X	76150-2X
611197-1	Standard	4.30	708123-3 (9)	706180X	706040X	706702X	76150-1X	76150-2X
2001 F450/550 DRW (4x4)								
611201-1	Standard	4.88	708123-4 (9)	706182X	706041X	706702X	76150-3X	76150-4X
611201-2	Standard	5.38	708123-5 (9)	706182X	706041X	706702X	76150-3X	76150-4X
611201-3	Standard	4.30	708123-3 (9)	706180X	706040X	706702X	76150-3X	76150-4X
2001-02 F450/550 DRW (4x4)								
611196-1	Standard	4.88	708123-4 (9)	706182X	706041X	706702X	76150-3X	76150-4X
611196-2	Standard	5.38	708123-5 (9)	706182X	706041X	706702X	76150-3X	76150-4X
611196-3	Standard	4.30	708123-3 (9)	706180X	706040X	706702X	76150-3X	76150-4X
2002 F-250/350 SRW (4x4)								
611159-1	Standard	3.73	708123-1 (9)	706180X	706040X	706702X	76150-1X	76150-2X
611159-2	Standard	4.10	708123-2 (9)	706180X	706040X	706702X	76150-1X	76150-2X
611159-3	Standard	4.30	708123-3 (9)	706180X	706040X	706702X	76150-1X	76150-2X

(7) See Ring Gear & Pinion Kits in XGI Catalog for ratio & tooth combinations.
(8) See Differential Case Assy Kits in XGI Catalog for spline data & ratios.
(9) Reverse Spiral Bevel

60 /248 Front Variable Parts Listing

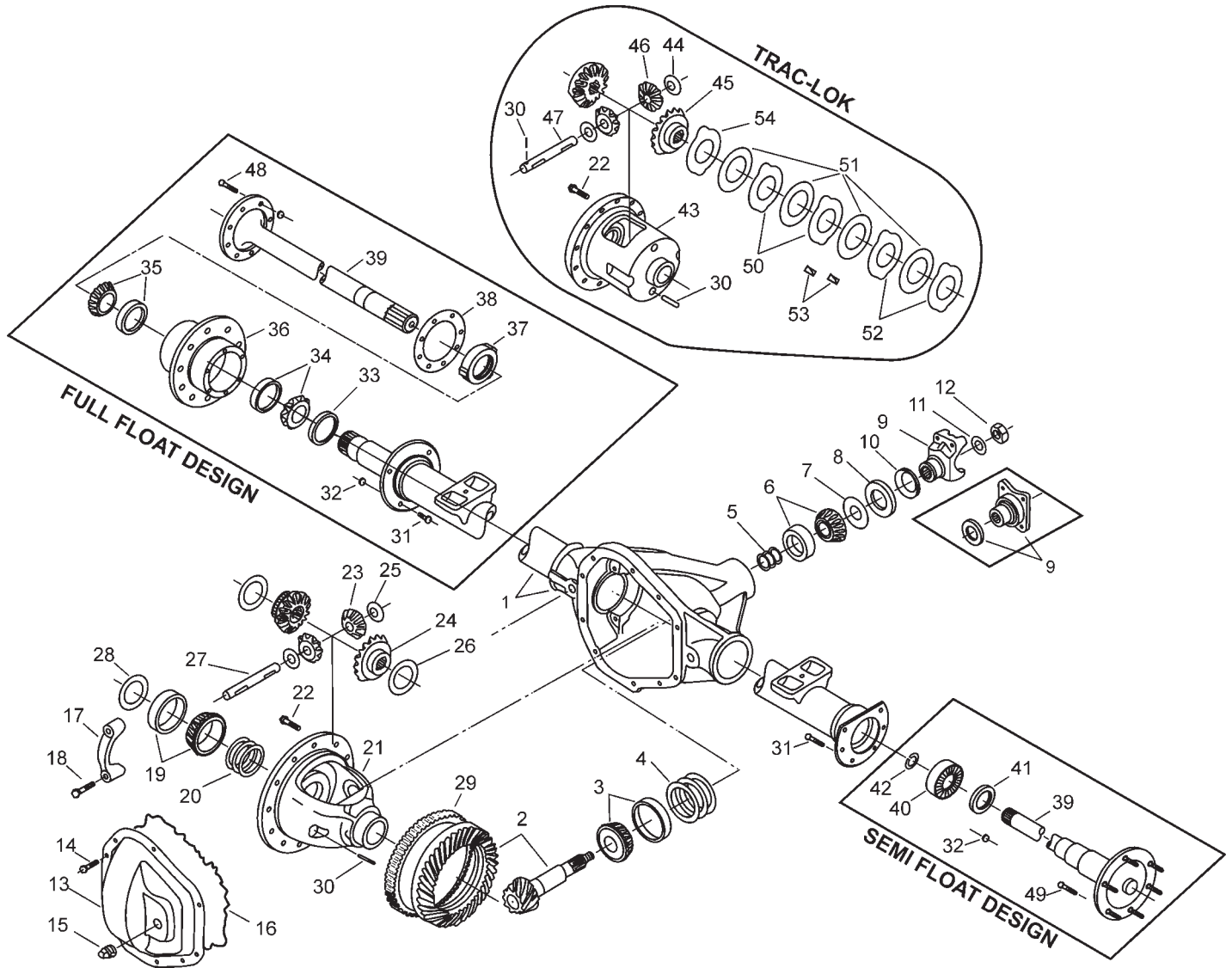


Kits & Parts - Use With All Applications							
Description & Item Number (Refer to "Exploded View" at the front of this section)			Bills of Material				
			610894 610895	610896	610897	610954 610994 610995	610996
1	PKG - Seal (inc 9 & 10)	-	701164X	-	-	701164X	-
2	Seal - Pinion	9	47885	-	-	47885	-
3	End Yoke	11	3-4-12771-1	-	-	3-4-12771-1	-
4	Seal & Guide Tube	30	48773	-	-	48773	-
5	Dust Shield	46	47889	47889	-	47758	47889
			610997	610998	611072	611073	611074 611159 611195
1	PKG - Seal (inc 9 & 10)	-	-	701164X	703011	703011	703011
2	Seal - Pinion	9	-	47885	50574	50574	50574
3	End Yoke	11	-	3-4-12771-1	3-4-14531-1	3-4-14531-1	3-4-14531-1
4	Seal & Guide Tube	30	-	48773	52148	52148	52148
5	Dust Shield	46	-	47758	47758	47889	47758
			611196	611197	611201		
1	PKG - Seal (inc 9 & 10)	-	703011	703011	703011		
2	Seal - Pinion	9	50574	50574	50574		
3	End Yoke	11	3-4-14531-1	3-4-14531-1	3-4-14531-1		
4	Seal & Guide Tube	30	52148	52148	52148		
5	Dust Shield	46	47889	47758	47889		

NOTES

**Model 60 /248
Rear Axles for
E-250, E-350**

Model 60 /248 Rear Exploded View



Model 60 /248 Rear Parts Listing

ITEM NO.	PART NUMBER	DESCRIPTION	ITEM NO.	PART NUMBER	DESCRIPTION
1	-(3)	Housing - Axle Service	28	47560(3)	Spacer\Shim - Diff Bearing
2	-(1)	Drive Pinion & Gear Kit	29	42928	Tone Ring (ABS only)
3	706046X	KIT - Inner Pinion Bearing	30	-(2)	Lock - Differential Shaft
	-(2)	PKG - Differential & Pinion Shim (inc 4, 6, 12, 13, 17, 21)	31	-(3)	Bolt - Brake Mounting
	701012-1X	PKG - Pinion Bearing Shim (inc 4, 6, 12, 13, 17)	32	-(3)	Nut - Brake Mounting
4	-	Inner Pinion Shims	33	-(2)	Seal - Hub (Full Float)
5	-(4)	Outer Pinion Shims	34	706179X	KIT - Inner Wheel Brg (Full Float)
6	706045X	KIT - Outer Pinion Bearing	35	706074X	KIT - Outer Wheel Brg (Full Float)
7	42737	Thrustwasher	36	-(3)	Hub - Wheel
8	-(2)	Seal - Pinion Oil	37	-(2)	Nut - Spindle (Full Float)
9	-(2)	End Yoke/Companion Flange Assy		-(2)	Nut - Spindle(LH-FF)(Variable)
10	45799	Slinger	38	39697	Gasket (Full Float)
11	30275	Washer - Pinion Nut	39	-(1)	Shaft - Axle Flanged Drive
12	30271	Pinion Nut		-(2)	KIT - Unit Brg & Seal (Semi Float)
	-(2)	KIT - Carrier Cover (inc items 14, 15, 16)	40	566117	(inc items 17, 31, 41, 42) Wheel Bearing Assembly
13	-(2)	Carrier Cover	41	-(2)	Seal - Inboard Oil
14	47508-1	Bolt - Carrier Cover	42	39213	Retainer - Axle Shaft (Semi Float)
15	43181	Plug - Carrier Cover	43	-(4)	Case - Differential (t/l)
16	34687	Gasket - Carrier Cover	44	34730	Thrustwasher - Diff Pinion (t/l)
	38615	RTV Silicone Sealant	45	-(2)	Gear - Differential (t/l)
17	-(3)	Differential Bearing Cap	46	-(2)	Pinion - Differential (t/l)
18	48632-1	Bolt - Differential Bearing Cap	47	30263	Shaft - Differential (t/l)
19	707489X	KIT - Differential Bearing	48	-(2)	Bolt - Axle Shaft (Full Float)
20	-(2)	KIT - Diff Brg Adj Shim	49	-(2)	Bolt - Axle Shaft (Semi Float)
21	-(4)	Case - Differential (std)		701151X	KIT - Diff Plate & Disc (t/l)
22	40638	Bolt - Drive Gear (qty 12)	50	-(4)	(inc items 51, 52, 53, 54, 55) Plate - Diff Pressure (t/l)
23	34367	Pinion - Differential (std)	51	-(4)	Disc - Differential (t/l)
24	-(2)	Gear - Differential (std)	52	-(4)	Plate - Differential
25	34730	Thrustwasher - Diff Pinion (std)	53	40835	Clip - Diff Clutch Retainer (t/l)
26	34729	Thrustwasher - Diff Gear (std)	54	-(4)	Spacer - Plate Preload
27	30263	Shaft - Differential (std)		-(2)	KIT - RH Rear Axle Shaft
				-(2)	KIT - LH Rear Axle Shaft

(1) See "Bill of Material Table" on next page

(2) See "Variable Parts Table" within this section

(3) Contact Vehicle Manufacturer

(4) Not Sold Separately

(5) See Camber/Casting Bushing Table on page 49.

N.I. = Not Illustrated

Model 60 /248 Rear Bill of Material Table

Axle			Axle Kits				Shaft & Joint Assy.	
Bill of Material	Diff. Type	Ratio	Ring Gear & Pinion Kit ⁽⁷⁾	Differential			Right Hand Shaft Assy.	Left Hand Shaft Assy.
				Case Assy. Kit ⁽⁸⁾	Case Kit	Inner Parts Kit		
1998 1/2-99 E-250 Van SRW - Semi Float w/ABS								
606102-1	Trac Lok	4.09	707424-3X	707427X	707428X	707435X	75344-1X	75344-2X
606161-1	Standard	3.73	707424-2X	707211-1X	707212-1X	706844X	75344-1X	75344-2X
606161-2	Trac Lok	3.73	707424-2X	707427X	707428X	707435X	75344-1X	75344-2X
606161-3	Standard	4.09	707424-2X	707211-1X	707212-1X	706844X	75344-1X	75344-2X
606161-4	Trac Lok	4.09	707424-2X	707427X	707428X	707435X	75344-1X	75344-2X
1998 1/2-99 E-350 Van SRW - Full Float w/ABS								
606109-1	Standard	3.55	708125-6	707387-1X	707214-1X	707389X	43811-16	43811-17
606109-2	Trac Lok	3.55	708125-6	707432X	707433X	707434X	43811-16	43811-17
606109-3	Standard	3.73	708125-4	707387-1X	707214-1X	707389X	43811-16	43811-17
606109-4	Trac Lok	3.73	708125-4	707432X	707433X	707434X	43811-16	43811-17
606109-5	Standard	4.10	708125-5	707387-1X	707214-1X	707389X	43811-16	43811-17
606109-6	Trac Lok	4.10	708125-5	707432X	707433X	707434X	43811-16	43811-17
1999 E-250 Van SRW - Semi Float w/ABS								
606022-1	Standard	3.73	708125-4	707211-1X	707212-1X	706844X	75344-1X	75344-2X
606022-2	Trac Lok	3.73	708125-4	707427X	707428X	707435X	75344-1X	75344-2X
606022-3	Standard	4.09	708125-5	707211-1X	707212-1X	706844X	75344-1X	75344-2X
606022-4	Trac Lok	4.09	708125-5	707427X	707428X	707435X	75344-1X	75344-2X
1999 E-350 Van SRW - Full Float w/ABS								
606162-1	Standard	3.55	708125-6	707387-1X	707214-1X	707389X	43811-16	43811-17
606162-2	Trac Lok	3.55	708125-6	707432X	707433X	707434X	43811-16	43811-17
606162-3	Standard	3.73	708125-4	707387-1X	707214-1X	707389X	43811-16	43811-17
606162-4	Trac Lok	3.73	708125-4	707432X	707433X	707434X	43811-16	43811-17
606162-5	Standard	4.10	708125-5	707387-1X	707214-1X	707389X	43811-16	43811-17
606162-6	Trac Lok	4.10	708125-5	707432X	707433X	707434X	43811-16	43811-17
1999-99 1/2 E-250 Chassis SRW								
606199-1	Trac Lok	4.09	708125-5	707427X	707428X	707435X	75344-1X	75344-2X
1999-99 1/2 E-350 Van SRW - Full Float w/ABS								
606190-1	Standard	3.55	708125-6	707387-1X	707214-1X	707389X	43811-16	43811-17
606190-2	Trac Lok	3.55	708125-6	707432X	707433X	707434X	43811-16	43811-17
606190-3	Standard	3.73	708125-4	707387-1X	707214-1X	707389X	43811-16	43811-17
606190-4	Trac Lok	3.73	708125-4	707432X	707433X	707434X	43811-16	43811-17
606190-5	Standard	4.10	708125-5	707387-1X	707214-1X	707389X	43811-16	43811-17
606190-6	Trac Lok	4.10	708125-5	707432X	707433X	707434X	43811-16	43811-17
1999 1/2 E-250 Van SRW								
606188-1	Standard	3.73	708125-4	707211-1X	707212-1X	706844X	75344-1X	75344-2X
606192-1	Standard	3.73	708125-4	707211-1X	707212-1X	706844X	75344-1X	75344-2X
606192-2	Trac Lok	3.73	708125-4	707427X	707428X	707435X	75344-1X	75344-2X
1999 1/2 E-250 Van SRW - Semi Float w/ABS								
606188-2	Trac Lok	3.73	708125-4	707427X	707428X	707435X	75344-1X	75344-2X
606188-3	Standard	4.09	708125-5	707211-1X	707212-1X	706844X	75344-1X	75344-2X
606188-4	Trac Lok	4.09	708125-5	707427X	707428X	707435X	75344-1X	75344-2X

(7) See Ring Gear & Pinion Kits in XGI Catalog for ratio & tooth combinations.

(8) See Differential Case Assy Kits in XGI Catalog for spline data & ratios.

Model 60 /248 Rear Bill of Material Table

Axle			Axle Kits				Shaft & Joint Assy.	
Bill of Material	Diff. Type	Ratio	Ring Gear & Pinion Kit ⁽⁷⁾	Differential			Right Hand Shaft Assy.	Left Hand Shaft Assy.
				Case Assy. Kit ⁽⁸⁾	Case Kit	Inner Parts Kit		
1999 1/2-2000 E-350 Van SRW - Full Float w/ABS								
606232-1	Standard	3.55	708125-6	707387-1X	707214-1X	707389X	43811-16	43811-17
606232-2	Trac Lok	3.55	708125-6	707432X	707433X	707434X	43811-16	43811-17
606232-3	Standard	3.73	708125-4	707387-1X	707214-1X	707389X	43811-16	43811-17
606232-4	Trac Lok	3.73	708125-4	707432X	707433X	707434X	43811-16	43811-17
606232-5	Standard	4.10	708125-5	707387-1X	707214-1X	707389X	43811-16	43811-17
606232-6	Trac Lok	4.10	708125-5	707432X	707433X	707434X	43811-16	43811-17
2000 E-250 Van SRW - Semi Float w/ABS								
606313-1	Trac Lok	4.09	708125-5	707427X	707428X	707435X	75344-1X	75344-2X
2000-00 1/2 E-250 Van SRW - Semi Float w/ABS								
606306-1	Standard	3.73	708125-4	707211-1X	707212-1X	706844X	75344-1X	75344-2X
606306-2	Trac Lok	3.73	708125-4	707427X	707428X	707435X	75344-1X	75344-2X
606306-3	Standard	4.09	708125-5	707211-1X	707212-1X	706844X	75344-1X	75344-2X
606306-4	Trac Lok	4.09	708125-5	707427X	707428X	707435X	75344-1X	75344-2X
606307-1	Standard	3.73	708125-4	707211-1X	707212-1X	706844X	75344-1X	75344-2X
606307-2	Trac Lok	3.73	708125-4	707427X	707428X	707435X	75344-1X	75344-2X
2000 1/2 E-350 Van SRW - Full Float w/ABS								
606314-1	Standard	3.55	708125-6	707387-1X	707214-1X	707389X	43811-16	43811-17
606314-2	Trac Lok	3.55	708125-6	707432X	707433X	707434X	43811-16	43811-17
606314-3	Standard	3.73	708125-4	707387-1X	707214-1X	707389X	43811-16	43811-17
606314-4	Trac Lok	3.73	708125-4	707432X	707433X	707434X	43811-16	43811-17
606314-5	Standard	4.10	708125-5	707387-1X	707214-1X	707389X	43811-16	43811-17
606314-6	Trac Lok	4.10	708125-5	707432X	707433X	707434X	43811-16	43811-17
606522-1	Standard	3.55	708125-6	707387-1X	707214-1X	707389X	43811-16	43811-17
606522-2	Trac Lok	3.55	708125-6	707432X	707433X	707434X	43811-16	43811-17
606522-3	Standard	3.73	708125-4	707387-1X	707214-1X	707389X	43811-16	43811-17
606522-4	Trac Lok	3.73	708125-4	707432X	707433X	707434X	43811-16	43811-17
606522-5	Standard	4.10	708125-5	707387-1X	707214-1X	707389X	43811-16	43811-17
606522-6	Trac Lok	4.10	708125-5	707432X	707433X	707434X	43811-16	43811-17
2001 E-250 Van SRW - Semi Float w/ABS								
606601-1	Standard	3.73	708125-1	707211-1X	707212-1X	706844X	75344-1X	75344-2X
606601-2	Trac Lok	3.73	708125-1	707427X	707428X	707435X	75344-1X	75344-2X
606601-3	Standard	4.10	708125-5	707211-1X	707212-1X	706844X	75344-1X	75344-2X
606601-4	Trac Lok	4.10	708125-5	707427X	707428X	707435X	75344-1X	75344-2X
606602-1	Standard	3.73	708125-1	707211-1X	707212-1X	706844X	75344-1X	75344-2X
606602-2	Trac Lok	3.73	708125-1	707427X	707428X	707435X	75344-1X	75344-2X
606603-1	Trac Lok	4.09	705125-5	707127X	707428X	707435X	75344-1X	75344-2X
2001 E-350 Van SRW - Full Float w/ABS								
606604-1	Standard	3.55	708125-6	707387-1X	707214-1X	707389X	43811-16	43811-17
606604-2	Trac Lok	3.55	708125-6	707432X	707433X	707434X	43811-16	43811-17
606604-3	Standard	3.73	708125-4	707387-1X	707214-1X	707389X	43811-16	43811-17
606604-4	Trac Lok	3.73	708125-4	707432X	707433X	707434X	43811-16	43811-17
606604-5	Standard	4.10	708125-5	707387-1X	707214-1X	707389X	43811-16	43811-17
606604-6	Trac Lok	4.10	708125-5	707432X	707433X	707434X	43811-16	43811-17

(7) See Ring Gear & Pinion Kits in XGI Catalog for ratio & tooth combinations.

(8) See Differential Case Assy Kits in XGI Catalog for spline data & ratios.

Model 60 /248 Rear Bill of Material Table

Axle			Axle Kits				Shaft & Joint Assy.	
Bill of Material	Diff. Type	Ratio	Ring Gear & Pinion Kit ⁽⁷⁾	Differential			Right Hand Shaft Assy.	Left Hand Shaft Assy.
				Case Assy. Kit ⁽⁸⁾	Case Kit	Inner Parts Kit		
2001 E-350 SRW - Semi Float - HD w/ABS								
606023-1	Standard	3.55	708125-6	707211-1X	707212-1X	706844X	76002-1X	76002-2X
606023-2	Trac Lok	3.55	708125-6	707427X	707428X	707435X	76002-1X	76002-2X
606023-3	Standard	3.73	708125-4	707211-1X	707212-1X	706844X	76002-1X	76002-2X
606023-4	Trac Lok	3.73	708125-4	707427X	707428X	707435X	76002-1X	76002-2X
606023-5	Standard	4.10	708125-5	707211-1X	707212-1X	706844X	76002-1X	76002-2X
606023-6	Trac Lok	4.10	708125-5	707427X	707428X	707435X	76002-1X	76002-2X
2002 E-250 Van SRW - Semi Float w/ABS								
606752-1	Standard	3.73	708125-4	707211-1X	707212-1X	706844X	75344-1X	75344-2X
606752-2	Trac Lok	3.73	708125-4	707427X	707428X	707435X	75344-1X	75344-2X
606752-3	Standard	4.10	707424-5	707211-1X	707212-1X	706844X	75344-1X	75344-2X
606752-4	Trac Lok	4.10	707424-5	707427X	707428X	707435X	75344-1X	75344-2X
606797-1	Trac Lok	4.10	708125-5	707427X	707428X	707435X	75344-1X	75344-2X
606836-1	Standard	3.73	708125-4	707211-1X	707212-1X	706844X	75344-1X	75344-2X
606836-2	Trac Lok	3.73	708125-4	707427X	707428X	707435X	75344-1X	75344-2X
606836-3	Standard	4.10	707424-5	707211-1X	707212-1X	706844X	75344-1X	75344-2X
606836-4	Trac Lok	4.10	707424-5	707427X	707428X	707435X	75344-1X	75344-2X
606847-1	Trac Lok	4.10	708125-4	707211-1X	707212-1X	706844X	75344-1X	75344-2X
2003 E-250 Van SRW - Semi Float w/ABS								
2001025-1	Trac Lok	4.10	708125-5	707427X	707428X	707435X	75344-1X	75344-2X

(7) See Ring Gear & Pinion Kits in XGI Catalog for ratio & tooth combinations.
 (8) See Differential Case Assy Kits in XGI Catalog for spline data & ratios.

Model 60 /248 Rear Variable Parts Listing

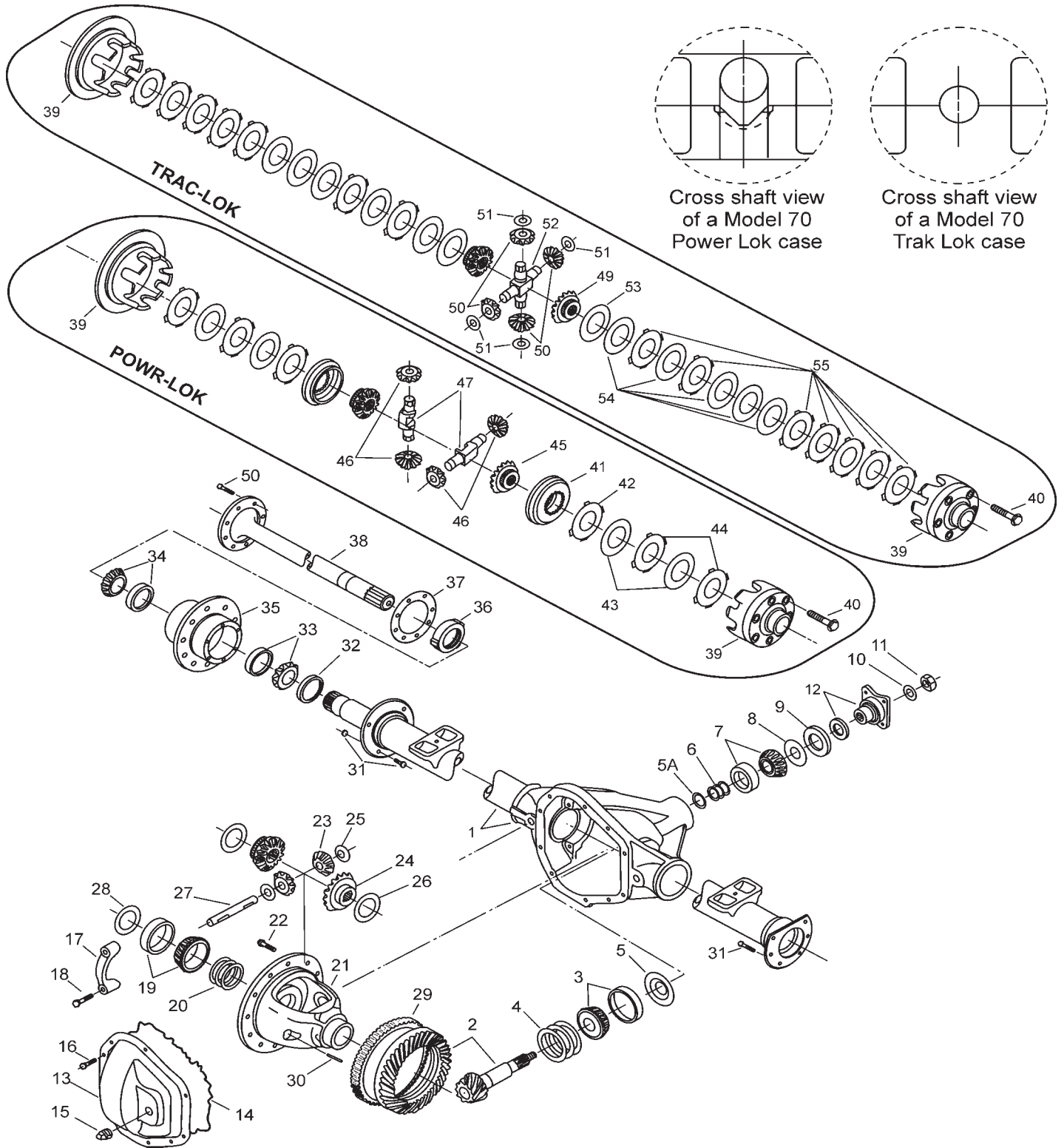
Kits & Parts - Use With All Applications							
Description & Item Number (Refer to "Exploded View" at the front of this section)			Bills of Material				
			2001025	606022	606023 606102	606109	606188
1	PKG - Differential & Pinion Shim	-	707426X	707426X	707426X	707431X	707426X
2	Seal - Pinion Oil	8	50637	42449	50637	42449	42449
3	End Yoke/Companion Flange Assy	9	-	3-1-4881X	3-1-4881X	3-1-4881X	3-1-4881X
4	KIT - Carrier Cover	-	708190-1	707217-1X	707217-1X	707217-1X	707217-1X
5	Carrier Cover	13	42799-1	42799-2	42799-2	42799-2	42799-2
6	Bolt - Carrier Cover	14	47508-1	47508-1	47508	47508-1	47508-1
7	KIT - Diff Brg Adj Shim	20	707425X	707425X	707425X	701144X	707425X
8	Gear - Differential (std)	24	-	39232	39232	45744	39232
9	Lock - Differential Shaft	30	40131-1	40131-1	40131-1	44810	40131-1
10	Seal - Hub (Full Float)	33	-	-	-	47507	-
11	Nut - Spindle (Full Float)	37	-	-	-	43075	-
12	Nut - Spindle(LH-FF)(Variable)	-	-	-	-	43075	-
13	KIT - Unit Brg & Seal (Semi Float)	-	706847-1X	706847-1X	706847-1X	-	706847-1X
14	Seal - Inboard Oil	41	46995	46995	46995	-	46995
15	Gear - Differential (t/l)	45	55652	39256	39256	45745	39256
16	Pinion - Differential (t/l)	46	55655	34367	34367	34367	34367
17	Bolt - Axle Shaft (Full Float)	48	-	-	-	45720	-
18	Bolt - Axle Shaft (Semi Float)	49	42426	46426	46426	-	46426
19	KIT - RH Rear Axle Shaft	-	75344-1X	-	-	-	-
20	KIT - LH Rear Axle Shaft	-	75344-2X	-	-	-	-
			606190	606192	606199	606232	606306 606307
1	PKG - Differential & Pinion Shim	-	707431X	707426X	707426X	707431X	707426X
2	Seal - Pinion Oil	8	42449	42449	42449	42449	42449
3	End Yoke/Companion Flange Assy	9	3-1-4881X	3-1-4881X	3-1-4881X	3-1-4881X	3-1-4881X
4	KIT - Carrier Cover	-	707217-1X	707217-1X	707217-1X	707217-1X	707217-1X
5	Carrier Cover	13	42799-2	42799-2	42799-2	42799-2	42799-2
6	Bolt - Carrier Cover	14	47508-1	47508-1	47508-1	47508-1	47508-1
7	KIT - Diff Brg Adj Shim	20	701144X	707425X	707425X	701144X	707425X
8	Gear - Differential (std)	24	45744	39232	-	45744	39232
9	Lock - Differential Shaft	30	44810	40131-1	40131-1	44810	40131-1
10	Seal - Hub (Full Float)	33	47507	-	-	47507	-
11	Nut - Spindle (Full Float)	37	43075	-	43075	43075	-
12	Nut - Spindle(LH-FF)(Variable)	-	43075	-	43075	43075	-
13	KIT - Unit Brg & Seal (Semi Float)	-	-	706847-1X	706847-1X	-	706847-1X
14	Seal - Inboard Oil	41	-	46995	46995	-	46995
15	Gear - Differential (t/l)	45	45745	39256	39256	45745	39256
16	Pinion - Differential (t/l)	46	34367	34367	34367	34367	34367
17	Bolt - Axle Shaft (Full Float)	48	45720	-	-	45720	-
18	Bolt - Axle Shaft (Semi Float)	49	-	46426	46426	-	46426
19	KIT - RH Rear Axle Shaft	-	-	-	-	-	-
20	KIT - LH Rear Axle Shaft	-	-	-	-	-	-

Model 60 /248 Rear Variable Parts Listing

Kits & Parts - Use With All Applications							
Description & Item Number (Refer to "Exploded View" at the front of this section)			Bills of Material				
			606313	606314	606522	606601 606602	606603
1	PKG - Differential & Pinion Shim	-	707426X	707431X	707431X	707426X	707426X
2	Seal - Pinion Oil	8	50637	42449	42449	50637	50637
3	End Yoke/Companion Flange Assy	9	3-1-4881X	3-1-4881X	3-1-4881X	3-1-4881X	3-1-4881X
4	KIT - Carrier Cover	-	707217-1X	707217-1X	707217-1X	707217-1X	707217-1X
5	Carrier Cover	13	42799-2	42799-2	42799-2	42799-2	42799-2
6	Bolt - Carrier Cover	14	47508-1	47508-1	47508-1	47508	47508-1
7	KIT - Diff Brg Adj Shim	20	707425X	701144X	701144X	707425X	707425X
8	Gear - Differential (std)	24	39232	45744	45744	39232	39232
9	Lock - Differential Shaft	30	40131-1	44810	44810	40131-1	40131-1
10	Seal - Hub (Full Float)	33	-	47507	47507	-	-
11	Nut - Spindle (Full Float)	37	-	43075	-	-	-
12	Nut - Spindle(LH-FF)(Variable)	-	-	43075	-	-	-
13	KIT - Unit Brg & Seal (Semi Float)	-	706847-1X	-	-	706847-1X	706847-1X
14	Seal - Inboard Oil	41	46995	-	-	46995	46995
15	Gear - Differential (t/l)	45	39256	45745	45745	39256	39256
16	Pinion - Differential (t/l)	46	34367	34367	34367	34367	34367
17	Bolt - Axle Shaft (Full Float)	48	-	45720	45720	-	-
18	Bolt - Axle Shaft (Semi Float)	49	46426	-	-	46426	46426
19	KIT - RH Rear Axle Shaft	-	-	-	-	-	-
20	KIT - LH Rear Axle Shaft	-	-	-	-	-	-
			606604	606752	606797	606836	606847
1	PKG - Differential & Pinion Shim	-	707431X	707426X	707426X	707426X	707426X
2	Seal - Pinion Oil	8	50637	50637	50637	50637	50637
3	End Yoke/Companion Flange Assy	9	3-1-4881X	3-1-4881X	-	3-1-4881X	3-1-4881X
4	KIT - Carrier Cover	-	707217-1X	707217-1X	707217-1X	708190-1	708190-1
5	Carrier Cover	13	42799-2	42799-2	42799-2	42799-1	42799-1
6	Bolt - Carrier Cover	14	47508	47508	47508-1	47508	47508
7	KIT - Diff Brg Adj Shim	20	701144X	707425X	707425X	707425X	707425X
8	Gear - Differential (std)	24	45744	39232	-	39232	-
9	Lock - Differential Shaft	30	44810	40131-1	40131-1	40131-1	40131-1
10	Seal - Hub (Full Float)	33	47507	-	-	-	-
11	Nut - Spindle (Full Float)	37	-	43075	-	43075	43075
12	Nut - Spindle(LH-FF)(Variable)	-	-	43075	-	43075	43075
13	KIT - Unit Brg & Seal (Semi Float)	-	-	706847-1X	706847-1X	706847-1X	706847-1X
14	Seal - Inboard Oil	41	-	46995	46995	46995	46995
15	Gear - Differential (t/l)	45	45745	39256	55652	39256	39256
16	Pinion - Differential (t/l)	46	34367	34367	55655	34367	55655
17	Bolt - Axle Shaft (Full Float)	48	45720	-	55652	-	-
18	Bolt - Axle Shaft (Semi Float)	49	-	46426	42426	46426	46426
19	KIT - RH Rear Axle Shaft	-	-	-	-	-	-
20	KIT - LH Rear Axle Shaft	-	-	-	-	-	-

Model 70 /267 Rear Axles for E-350 & E-450

Model 70 /267 Rear Exploded View



Model 70 /267 Rear Parts Listing

ITEM NO.	PART NUMBER	DESCRIPTION	ITEM NO.	PART NUMBER	DESCRIPTION
1	-(3)	Housing - Axle Service	27	46640	Shaft - Differential (std)
2	-(1)	Drive Pinion & Gear Kit	28	-(2)	Spacer - Diff Bearing
3	-(2)	Inner Pinion Bearing Kit	29	42929	Tone Ring (ABS)
4	-	Inner Pinion Adj Shims	30	47024	Lock - Diff Shaft
	-(2)	KIT - Pinion Brg Adj Shim (inc 4, 6, 11, 12, 15)	31	-(3)	Nut/Bolt - Brake Mounting
5	-	Baffle - Pinion Bearing	32	47507	Seal - Hub
5A	46176	Spacer - Flat	33	706179X	Inner Wheel Bearing Kit
6	-(4)	Outer Pinion Adj Shims	34	706074X	Outer Wheel Bearing Kit
	-(2)	KIT - Diff & Pinion Adj Shim (inc 4, 6, 13, 16, 22)	35	-(3)	Hub - Wheel
7	706045X	Outer Pinion Bearing Kit	36	43075	Spindle Nut / Wheel Brg.Ret.
8	42737	Thrustwasher - Bearing	37	39697	Gasket
9	-(2)	Seal - Pinion	38	-(1)	Shaft - Axle Flange Drive
10	30275	Washer - Pinion Nut	39	-(4)	Case - Differential (p/l,t/l)
11	30271	Nut - Pinion	40	41610-1	Bolt - Diff Case (p/l,t/l)
12	-(2)	Companion Flange Assembly	41	42522	Ring - Diff Gear (p/l)
	-(2)	KIT - Carrier Cover (inc 14, 15, 17)	42	707075X	KIT - Diff Plate & Disc (p/l) (inc 44, 45, 46)
13	-(2)	Cover - Carrier	43	-(4)	Plate - Differential (p/l)
14	-	Gasket - Carrier Cover	44	-(4)	Disc - Diff Dished (p/l)
15	-(2)	Plug - Carrier Cover	45	-(4)	Plate - Differential (p/l)
16	-(2)	Bolt - Carrier Cover (qty 10)	46	43914	Gear - Differential (p/l)
17	-(3)	Cap - Differential Bearing	47	31040	Pinion - Differential (p/l)
18	48632-1	Bolt - Differential Bearing Cap	48	31041	Shaft - Differential (p/l)
19	-(2)	Differential Bearing Kit	49	42720	Screw - Flange Head
20	701144X	KIT - Diff Brg Adj Shim	50	47796	Gear - Differential (t/l)
21	-(4)	Case - Differential (std)	51	47798	Pinion - Differential (t/l)
22	40638	Bolt - Drive Gear (qty 12)	52	47800	Thrustwasher - Pinion (t/l)
23	35080	Pinion - Differential (std)	53	47802	Shaft - Differential (t/l)
24	-(2)	Gear - Differential (std)		2003918	KIT - Diff Plate & Disc (t/l) (inc 55,56,57)
25	35082	Thrustwasher - Diff Pinion (std)	54	-(4)	Disc - Diff Dished (t/l)
26	34729	Thrustwasher - Diff Gear (std)	55	-(4)	Disc - Diff Clutch (t/l)
				-(4)	Plate - Diff Pressure (t/l)

(1) See "Bill of Material Table" on next page

(2) See "Variable Parts Table" within this section

(3) Contact Vehicle Manufacturer

(4) Not Sold Separately

(5) Applications using an Inner Pinion Bearing Slinger, place the inner pinion shims on the outboard side of the bearing. Some applications without a slinger may place the shims on the inboard side of the bearing.

Model 70 /267 Rear Bill of Material Table

Axle			Axle Kits				Shaft & Joint Assy.	
Bill of Material	Diff. Type	Ratio	Ring Gear & Pinion Kit ⁽⁷⁾	Differential			Right Hand Shaft Assy.	Left Hand Shaft Assy.
				Case Assy. Kit ⁽⁸⁾	Case Kit	Inner Parts Kit		
1999 E-350 Cutaway SRW or Chassis DRW Option								
606026-1	Standard	4.10	707407-1X	707276-1X	707216-1X	707252X	43811-4	43811-7
606026-2	Powr Lok	4.10	707407-1X	707277-1X	707146-1X	707254X	43811-4	43811-7
606158-1	Standard	4.10	707407-1X	707276-1X	707216-1X	707252X	43811-4	43811-7
606158-2	Powr Lok	4.10	707407-1X	707277-1X	707146-1X	707254X	43811-4	43811-7
1999-2000 1/2 E-350 Chassis - DRW								
606145-1	Standard	4.10	707482-1X	707483X	707484X	706058X	36113-27	36113-28
606145-2	Standard	4.56	707482-2X	707483X	707484X	706058X	36113-27	36113-28
1999 1/2 E-350 Cutaway SRW or Chassis DRW Option								
606189-1	Standard	4.10	707407-1X	707276-1X	707216-1X	707252X	43811-4	43811-7
606189-2	Powr Lok	4.10	707407-1X	707277-1X	707146-1X	707254X	43811-4	43811-7
2000 E-350 Cutaway SRW or Chassis DRW Option								
606231-1	Standard	4.10	707407-1X	707276-1X	707216-1X	707252X	43811-4	43811-7
606231-2	Powr Lok	4.10	707407-1X	707277-1X	707146-1X	707254X	43811-4	43811-7
606320-1	Standard	4.10	707407-1X	707276-1X	707216-1X	707252X	43811-4	43811-7
606320-2	Powr Lok	4.10	707407-1X	707277-1X	707146-1X	707254X	43811-4	43811-7
2000 E-450 Super Duty DRW w/ABS								
606207-1	Standard	4.10	84055-5	708075-1	708076-1	708077	46930-3	46930-4
606207-3	Standard	4.56	84057-5	708075-1	708076-1	708077	46930-3	46930-4
606207-5	Standard	4.10	84055-5	708075-1	708076-1	708077	46930-3	46930-4
606207-7	Standard	4.56	84057-5	708075-1	708076-1	708077	46930-3	46930-4
2000 1/2 E-350 Cutaway SRW or Chassis DRW Option								
606523-1	Standard	4.10	707407-1X	707276-1X	707216-1X	707252X	43811-4	43811-7
606523-2	Powr Lok	4.10	707407-1X	707277-1X	707146-1X	707254X	43811-4	43811-7
2000 1/2 E-350 Chassis HD DRW w/ABS								
606319-1	Standard	4.10	707482-1X	707483X	707484X	706058X	36113-27	36113-28
606319-2	Standard	4.56	707482-2X	707483X	707484X	706058X	36113-27	36113-28
2001 E-450 Super Duty DRW w/ABS								
606606-1	Standard	4.10	708127-1	708075-1	708076-1	708077	46930-3	46930-4
606606-2	Trac Lok	4.10	708127-1	708080-1	708081-1	708051	46930-3	46930-4
606606-3	Standard	4.56	708127-2	708075-1	708076-1	708077	46930-3	46930-4
606606-4	Trac Lok	4.56	708127-2	708080-1	708081-1	708051	46930-3	46930-4
2001 E350 Chassis - DRW w/ABS								
606605-1	Standard	4.10	708126-1	707276-1X	707216-1X	707252X	43811-4	43811-7
606605-2	Powr Lok	4.10	708126-1	707277-1X	707146-1X	707254X	43811-4	43811-7
2001 E-350 DSO								
606592-1	Standard	4.10	708074-1	707483X	707484X	706058X	36113-27	36113-28
606592-2	Standard	4.56	708074-2	707483X	707484X	706058X	36113-27	36113-28
2002 E-450 Super Duty DRW w/ABS								
606540-1	Standard	4.10	708074-1	708075-1	708076-1	708077	46930-3	46930-4
606540-2	Trac Lok	4.10	708074-1	708080-1	708081-1	708051	46930-3	46930-4
606540-3	Standard	4.56	708074-2	708075-1	708076-1	708077	46930-3	46930-4
606540-4	Trac Lok	4.56	708074-2	708080-1	708081-1	708051	46930-3	46930-4
2002 E-350 DRW Full Float								
606756-1	Standard	4.10	708126-3	707276-1X	707216-1X	707252X	43811-4	43811-7
606756-2	Powr Lok	4.10	708126-3	707277-1X	707146-1X	707254X	43811-4	43811-7
2002 E-450 DRW								
606803-3	Standard	4.56	84057-5	708075-1	708076-1	708077	46930-3	46930-4

(7) See Ring Gear & Pinion Kits in XGI Catalog for ratio & tooth combinations.

(8) See Differential Case Assy Kits in XGI Catalog for spline data & ratios.

Model 70 /267 Rear Variable Parts Listing



Kits & Parts - Use With All Applications							
Description & Item Number (Refer to "Exploded View" at the front of this section)			Bills of Material				
			606026	606145	606189 606158	606207	606231
1	Inner Pinion Bearing Kit	3	706861X	706060X	706861X	706060X	706861X
2	KIT - Pinion Brg Adj Shim	-	707408X	707408X	707408X	708079	707408X
3	KIT - Diff & Pinion Adj Shim	-	707409X	707409X	707409X	708078	707409X
4	Seal - Pinion	9	42449	42449	42449	42449	42449
5	Slinger - End Yoke	11	45799	45799	45799	45799	45799
6	Companion Flange Assembly	14	3-1-4881X	3-1-4881X	3-1-4881X	2-1-3001X	3-1-4881X
7	KIT - Carrier Cover	-	707105-1X	707105-1X	707105-1X	708082	707105-1X
8	Cover - Carrier	15	42815-2	42815-2	42815-2	47717-3	42815-2
9	Plug - Carrier Cover	17	43181	43181	43181	38637	43181
10	Bolt - Carrier Cover (qty 10)	18	47508	47508	47508-1	34822	47508
11	Differential Bearing Kit	21	707489X	706070X	707489X	706070X	707489X
12	Gear - Differential (std)	26	43913	35079	43913	35079	43913
13	Spacer - Diff Bearing	30	47560	48849	47560	48849	47560
			606319	606320 606523	606540	606592	606605
1	Inner Pinion Bearing Kit	3	706060X	706861X	706060X	706060X	706861X
2	KIT - Pinion Brg Adj Shim	-	707408X	707408X	708079	708079	708079
3	KIT - Diff & Pinion Adj Shim	-	707485X	707409X	708078	708078	708078
4	Seal - Pinion	9	42449	42449	50637	50637	50637
5	Slinger - End Yoke	11	45799	45799	45799	45799	45799
6	Companion Flange Assembly	14	3-1-4881X	3-1-4881X	2-1-3001X	3-1-4881X	3-1-4881X
7	KIT - Carrier Cover	-	707105-1X	707105-1X	708082	708082-1	707105-1X
8	Cover - Carrier	15	42815-2	42815-2	47717-3	47717-3	42815-2
9	Plug - Carrier Cover	17	43181	43181	38637	38637	43181
10	Bolt - Carrier Cover (qty 10)	18	47508	47508	34822	47508	47508
11	Differential Bearing Kit	21	706070X	707489X	706070X	706070X	707489X
12	Gear - Differential (std)	26	35079	43913	35079	35079	43913
13	Spacer - Diff Bearing	30	48849 (9)	47560 (9)	48849 (9)	48849 (9)	47560 (9)
			606606	606756	606803		
1	Inner Pinion Bearing Kit	3	706060X	706861X	706060X		
2	KIT - Pinion Brg Adj Shim	-	708079	708079	-		
3	KIT - Diff & Pinion Adj Shim	-	708078	708078	708078		
4	Seal - Pinion	9	50637	50637	50637		
5	Slinger - End Yoke	11	45799	45799	-		
6	Companion Flange Assembly	14	2-1-3001X	3-1-4881X	84682 (3)		
7	KIT - Carrier Cover	-	708082	707105-1X	708082-1		
8	Cover - Carrier	15	47717-3	42815-2	47717-3		
9	Plug - Carrier Cover	17	38637	43181	38637		
10	Bolt - Carrier Cover (qty 10)	18	34822	47508	47508-1		
11	Differential Bearing Kit	21	706070X	707489X	706070X		
12	Gear - Differential (std)	26	35079	43913	35079		
13	Spacer - Diff Bearing	30	48849 (9)	47560 (9)	44841 (9)		

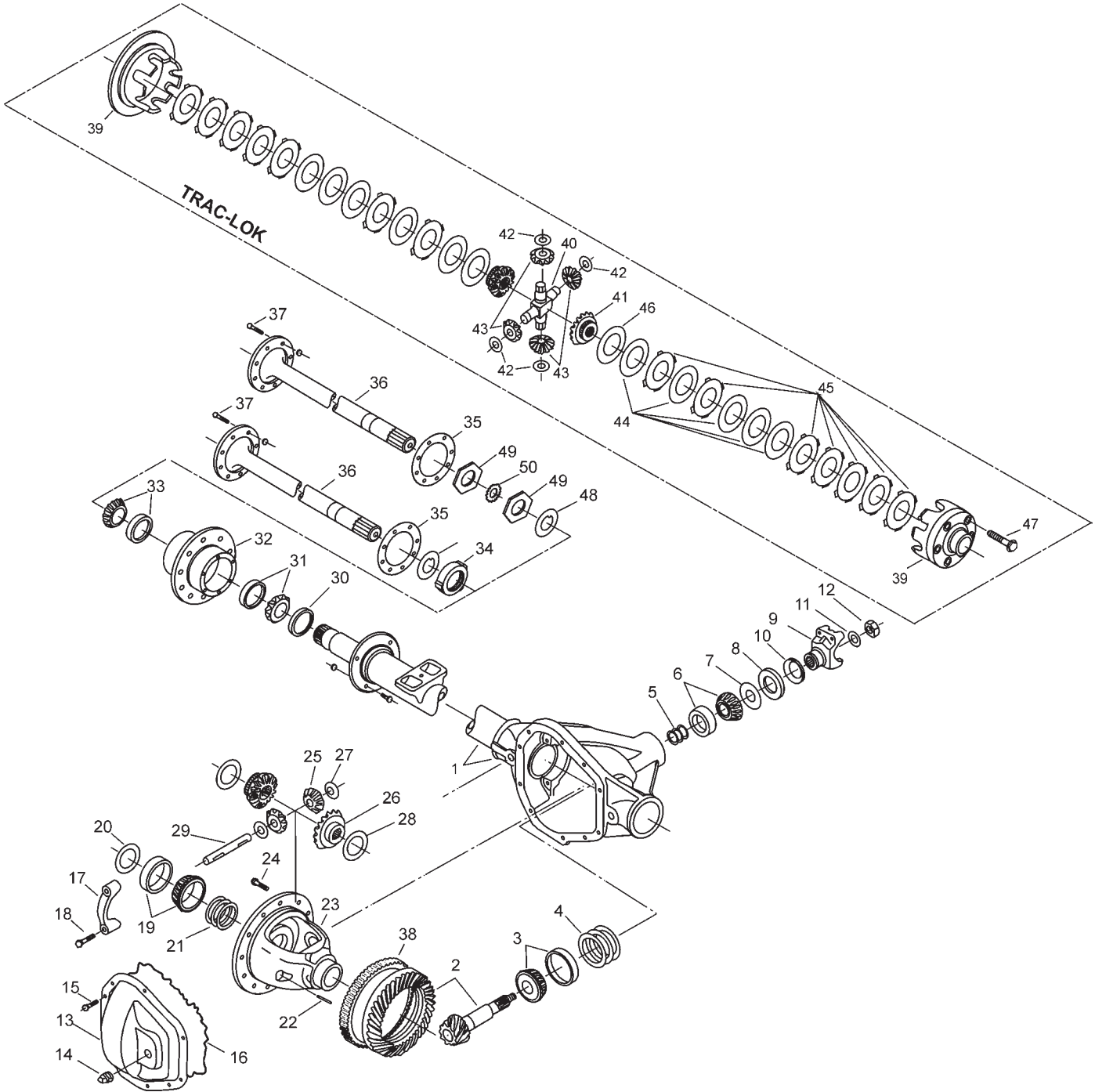
(3) Contact Vehicle Manufacturer

(9) For selection thickness on shims, see "Differential Bearing Adjustment Shim Table" on page 49.

NOTES

**Model 80 /286
Rear Axles for
E-350, E-450, F-350, F-450
& F53 Motor Home**

80 /286 Rear Exploded View



80 /286 Rear Parts Listing

ITEM NO.	PART NUMBER	DESCRIPTION	ITEM NO.	PART NUMBER	DESCRIPTION
1	-(3)	Housing - Axle Service	25	42413	Pinion - Differential (std)
2	-(1)	Drive Pinion & Gear kit	26	-(2)	Gear - Differential (std)
3	-(2)	Inner Pinion Bearing Kit	27	35082	Thrustwasher - Diff Pinion (std)
	-(2)	KIT - Pinion Brg Adj Shim (inc 4, 5, 11, 12)	28	34729	Thrustwasher - Diff Gear (std)
	-(2)	KIT - Diff & Pinion Shim (inc 4, 5, 10, 11, 20)	29	46640	Shaft - Differential (std)
4	-(4)	Inner Pinion Adj Shims	30	-(2)	Seal - Oil (Inner Wheel)
5	-(4)	Outer Pinion Adj Shims	31	-(2)	Bearing Cone - Inner Wheel
6	707064X	KIT - Outer Pinion Bearing		-(3)	Bearing Cup - Inner Wheel
7	42430	Thrustwasher - Bearing	32	-(3)	Hub & Rotor Assembly
8	46411	Seal - Pinion	33	-(2)	Bearing Cone - Outer Wheel
		Seal - Oil		-(3)	Bearing Cup - Outer Wheel
9	-(2)	End Yoke or Comp.Flange (inc 10)	34	-(2)	Retainer - Wheel Bearing (RH)
10	-(2)	Slinger - End Yoke		-(2)	Retainer - Wheel Bearing (LH)
11	37104	Washer - Pinion Nut	35	-(2)	Gasket
12	37082	Nut - Pinion	36	-(1)	Shaft - Axle
	-(2)	KIT - Carrier Cover (inc 13, 14, 15)	37	-(2)	Screw & Lockwasher Assy
13	-(2)	Cover - Carrier	38	42414	Tone Ring - ABS Only
14	38637	Plug - Carrier Cover	39	-(4)	Case - Differential (t/l)
15	-(2)	Bolt - Carrier Cover(qty 10)	40	47802	Shaft - Differential (t/l)
16	38615	RTV Silicone Sealant	41	-(2)	Gear - Differential (t/l)
17	-(3)	Cap - Differential Bearing	42	47800	Thrustwasher - Pinion (t/l)
18	48632-1	Bolt - Differential Bearing Cap	43	-(2)	Pinion - Differential (t/l)
19	706070X	Differential Bearing Kit		2003919	PKG - Disc & Plate (t/l)
20	701133X(9)	Diff Outboard Spacer Kit	44	-(4)	Disc - Diff Clutch
21	707364X	KIT - Diff Brg Adj Shim	45	-(4)	Plate - Diff Pressure
22	47024	Lock - Differential Shaft	46	-(4)	Disc - Diff Dished
23	-(4)	Case - Differential (std)	47	41610-1	Bolt - Differential Case (t/l)
24	42433	Bolt - Drive Gear (qty 12)	48	-(2)	Retainer Ring / O-Ring
			49	-	Nut - Spindle
			50	-	Lockwasher

(1) See "Bill of Material Table" on next page

(2) See "Variable Parts Table" within this section

(3) Contact Vehicle Manufacturer

(4) Not Sold Separately

(9) 701133X contains bearing preload spacers which can be purchased separately. See Differential Bearing Adjustment Shim Table on page 52 for thickness specifications. The bearing cone spacer (44849) can be purchased separately in kit 701152X.

80 /286 Rear Bill of Material Table

Axle			Axle Kits				Shaft & Joint Assy.	
Bill of Material	Diff. Type	Ratio	Ring Gear & Pinion Kit ⁽⁷⁾	Differential			Right Hand Shaft Assy.	Left Hand Shaft Assy.
				Case Assy. Kit ⁽⁸⁾	Case Kit	Inner Parts Kit		
1998 1/2-99 1/2 F-350 Chassis DRW Full Float ABS								
605924-1	Standard	3.73	708120-5	707330X	707230X	707063X	47847-3 (3)	47847-4 (3)
605924-2	Trac Lok	4.10	708120-6	707477X	708053	708051	47847-3 (3)	47847-4 (3)
605924-3	Trac Lok	4.30	708120-7	707477X	708053	708051	47847-3 (3)	47847-4 (3)
605942-1	Trac Lok	4.10	708120-6	707477X	708053	708051	47847-1	47847-2
1998 1/2-99 1/2 F-450 Chassis-DRW-Full Float								
605925-1	Standard	4.88	708120-10	707394X	707395X	707185X	47852-1	47852-1
605925-2	Limited Slip	4.88	708120-10	708097	—	—	47852-1	47852-1
605925-3	Standard	5.38	708120-11	707394X	707395X	707185X	47852-1	47852-1
605925-4	Limited Slip	5.38	708120-11	708097	—	—	47852-1	47852-1
1998 1/2-2000 F-350 Pick-Up DRW-Full Float								
605926-1	Standard	3.73	708120-5	707330X	707230X	707063X	47847-1	47847-2
605926-2	Trac Lok	4.10	708120-6	707477X	708053	708051	47847-1	47847-2
605926-3	Trac Lok	4.30	708120-7	707477X	708053	708051	47847-1	47847-2
1999 E-350 Super Duty - DRW - Full Float								
606144-1	Standard	4.10	707361-12X	707330X	707230X	707063X	46930-1	46930-2
606144-3	Standard	4.63	707361-5X	707330X	707230X	707063X	46930-1	46930-2
1999 1/2 E-450 Super Duty DRW w/ABS								
606217-1	Standard	4.10	707361-12X	708031	708032	707063X	46930-1	46930-2
606217-2	Standard	4.63	707361-13X	708031	708032	707063X	46930-1	46930-2
1999 1/2 F-450 Motor Home DRW-Full Float w/ABS								
605944-1	Standard	5.38	708120-11	707394X	707395X	707185X	47852-1	47852-1
2000 F-350 Chassis DRW Full Float w/ABS								
606224-1	Standard	3.73	708120-5	708031	707395X	707063X	47847-3	47847-4
606224-2	Trac Lok	4.10	708120-6	707477X	708053	708051	47847-3	47847-4
606224-3	Trac Lok	4.30	708120-7	707477X	708053	708051	47847-3	47847-4
606224-4	Standard	3.73	708120-5	708031	707395X	707063X	47847-3	47847-4
606224-5	Standard	3.73	708120-5	708031	707395X	707063X	47847-3	47847-4
606224-6	Trac Lok	4.10	708120-6	707477X	708053	708051	47847-3	47847-4
606224-7	Trac Lok	4.30	708120-7	707477X	708053	708051	47847-3	47847-4
606227-1	Trac Lok	4.10	708120-6	707477X	708053	708051	47847-1	47847-2
606227-2	Trac Lok	4.10	708120-6	707477X	708053	708051	47847-1	47847-2
2000 F-350 Pick-up DRW-Full Float w/ABS								
606226-1	Standard	3.73	708120-5	708031	707395X	707063X	47847-1	47847-2
606226-2	Trac Lok	4.10	708120-6	707477X	708053	708051	47847-1	47847-2
606226-3	Trac Lok	4.30	708120-7	707477X	708053	708051	47847-1	47847-2
606226-4	Standard	3.73	708120-5	708031	707395X	707063X	47847-1	47847-2
606226-5	Standard	3.73	708120-5	708031	707395X	707063X	47847-1	47847-2
606226-6	Trac Lok	4.10	708120-6	707477X	708053	708051	47847-1	47847-2
606226-7	Trac Lok	4.30	708120-7	707477X	708053	708051	47847-1	47847-2
606263-1	Standard	3.73	708120-5	708031	708032	707063X	47847-1	47847-2
606263-2	Trac Lok	4.10	708120-6	707477X	708053	708051	47847-1	47847-2
606263-3	Trac Lok	4.30	708120-7	707477X	708053	708051	47847-1	47847-2

(7) See Ring Gear & Pinion Kits in XGI Catalog for ratio & tooth combinations.
(8) See Differential Case Assy Kits in XGI Catalog for spline data & ratios.

80 /286 Rear Bill of Material Table

Axle			Axle Kits				Shaft & Joint Assy.	
Bill of Material	Diff. Type	Ratio	Ring Gear & Pinion Kit ⁽⁷⁾	Differential			Right Hand Shaft Assy.	Left Hand Shaft Assy.
				Case Assy. Kit ⁽⁸⁾	Case Kit	Inner Parts Kit		
2000 E-450 Super Duty DRW w/ABS								
606321-1	Standard	4.10	707361-12X	708031	708032	707063X	46930-1	46930-2
606321-2	Standard	4.63	707361-13X	708031	708032	707063X	46930-1	46930-2
606321-3	Standard	4.10	707361-12X	708031	708032	707063X	46930-1	46930-2
606321-4	Standard	4.63	707361-13X	708031	708032	707063X	46930-1	46930-2
2000 F-450 Chassis-DRW-Full Float w/ABS								
606225-1	Standard	4.88	708120-10	707394X	707395X	707185X	47852-1	47852-1
606225-2	Limited Slip	4.88	708120-10	708097	-	-	47852-1	47851-1
606225-3	Standard	5.38	708120-11	707394X	707395X	707185X	47852-1	47852-1
606225-4	Limited Slip	5.38	708120-11	708097	-	-	47852-1	47852-1
606225-5	Standard	4.88	708120-10	707394X	707395X	707185X	47852-1	47852-1
606225-6	Limited Slip	4.88	708120-10	708097	-	-	47852-1	47852-1
606225-7	Standard	5.38	708120-11	707394X	707395X	707185X	47852-1	47852-1
606225-8	Limited Slip	5.38	708120-11	708097	-	-	47852-1	47852-1
606610-1	Standard	4.88	708120-10	707394X	707395X	707185X	47852-1	47852-1
606610-2	Limited Slip	4.88	708120-10	708097	-	-	47852-1	47852-1
606610-3	Standard	5.38	708120-11	707394X	707395X	707185X	47852-1	47852-1
606610-4	Limited Slip	5.38	708120-11	708097	-	-	47852-1	47852-1
606610-5	Standard	4.88	708120-10	707394X	707395X	707185X	47852-1	47852-1
606610-6	Limited Slip	4.88	708120-10	708097	-	-	47852-1	47852-1
606610-7	Standard	5.38	708120-11	707394X	707395X	707185X	47852-1	47852-1
606610-8	Limited Slip	5.38	708120-11	708097	-	-	47852-1	47852-1
606610-9	Standard	4.30	708120-7	707394X	707395X	707185X	47852-1	47852-1
606610-10	Limited Slip	4.30	708120-7	708097	-	-	47852-1	47852-1
606610-11	Standard	4.30	708120-7	707394X	707395X	707185X	47852-1	47852-1
606610-12	Limited Slip	4.30	708120-7	708097	-	-	47852-1	47852-1
2000 F-450 Motor Home DRW-Full Float w/ABS								
606228-1	Standard	5.38	708120-11	707394X	707395X	707185X	47852-1	47852-1
606228-2	Standard	5.38	708120-11	707394X	707395X	707185X	47852-1	47852-1
2000 1/2 F-350 Chassis DRW Full Float w/ABS								
606609-1	Standard	3.73	708120-5	708031	707395X	707063X	47847-3	47847-4
606609-2	Trac Lok	4.10	708120-6	708170	708053	708232	47847-3	47847-4
606609-3	Trac Lok	4.30	708120-7	708170	708053	708232	47847-3	47847-4
606609-4	Standard	3.73	708120-5	708031	707395X	707063X	47847-3	47847-4
606609-5	Standard	3.73	708120-5	708031	707395X	707063X	47847-3	47847-4
606609-6	Trac Lok	4.10	708120-6	708170	708053	708232	47847-3	47847-4
606609-7	Trac Lok	4.30	708120-7	708170	708053	708232	47847-3	47847-4
2000 1/2 F-350 Pick-up DRW-Full Float w/ABS								
606310-1	Standard	3.73	708120-5	708031	708032	707063X	47847-1	47847-2
606310-2	Trac Lok	4.10	708120-6	707477X	708053	708051	47847-1	47847-2
606310-3	Trac Lok	4.30	708120-7	707477X	708053	708051	47847-1	47847-2
2001 F-350 Chassis DRW Full Float w/ABS								
606612-1	Trac Lok	4.10	708120-6	708170	708053	708232	47847-1	47847-2
606612-2	Trac Lok	4.10	708120-6	708170	708053	708232	47847-1	47847-2

(7) See Ring Gear & Pinion Kits in XGI Catalog for ratio & tooth combinations.

(8) See Differential Case Assy Kits in XGI Catalog for spline data & ratios.

80 /286 Rear Bill of Material Table

Axle			Axle Kits				Shaft & Joint Assy.	
Bill of Material	Diff. Type	Ratio	Ring Gear & Pinion Kit ⁽⁷⁾	Differential			Right Hand Shaft Assy.	Left Hand Shaft Assy.
				Case Assy. Kit ⁽⁸⁾	Case Kit	Inner Parts Kit		
2001 F-350 Pick-up DRW-Full Float w/ABS								
606611-1	Standard	3.73	708120-5	708031	707395X	707063X	47847-1	47847-2
606611-2	Standard	3.73	708120-5	708031	707395X	707063X	47847-1	47847-2
606611-3	Standard	3.73	708120-5	708031	707395X	707063X	47847-1	47847-2
606614-1	Standard	3.73	708120-5	708031	708032	707063X	47847-1	47847-2
606614-2	Trac Lok	4.10	708120-6	708170	708053	708232	47847-1	47847-2
606614-3	Trac Lok	4.30	708120-7	708170	708053	708232	47847-1	47847-2
606614-4	Standard	3.73	708120-5	708031	708032	707063X	47847-1	47847-2
606614-5	Trac Lok	4.10	708120-6	708170	708053	708232	47847-1	47847-2
606614-6	Trac Lok	4.30	708120-7	708170	708053	708232	47847-1	47847-2
2001 F53 Motor Home - Chassis - Full Float w/ABS								
606613-1	Standard	5.38	708120-11	707394X	707395X	707185X	47852-1	47852-1
606613-2	Standard	5.38	708120-11	707394X	707395X	707185X	47852-1	47852-1
2002 F-350 Chassis DRW Full Float w/ABS								
606777-1	Standard	3.73	708120-5	708031	707395X	707063X	47847-3	47847-4
606777-2	Trac Lok	4.10	708120-6	708170	708053	708232	47847-3	47847-4
606777-3	Trac Lok	4.30	708120-7	708170	708053	708232	47847-3	47847-4
606777-4	Standard	3.73	708120-5	708031	707395X	707063X	47847-3	47847-4
606777-5	Standard	3.73	708120-5	708031	707395X	707063X	47847-3	47847-4
606777-6	Trac Lok	4.10	708120-6	708170	708053	708232	47847-3	47847-4
606777-7	Trac Lok	4.30	708120-7	708170	708053	708232	47847-3	47847-4
606780-1	Trac Lok	4.10	708120-6	708170	708053	708232	47847-1	47847-2
606780-2	Trac Lok	4.10	708120-6	708170	708053	708232	47847-1	47847-2
2002 F-350 Pick-up DRW-Full Float w/ABS								
606781-1	Standard	3.73	708120-5	708031	708032	707063X	47847-1	47847-2
606781-2	Trac Lok	4.10	708120-6	708170	708053	708232	47847-1	47847-2
606781-3	Trac Lok	4.30	708120-7	708170	708053	708232	47847-1	47847-2
606781-4	Standard	3.73	708120-5	708031	708032	707063X	47847-1	47847-2
606781-5	Trac Lok	4.10	708120-6	708170	708053	708232	47847-1	47847-2
606781-6	Trac Lok	4.30	708120-7	708170	708053	708232	47847-1	47847-2
2002 F-450 Chassis-DRW-Full Float w/ABS								
606778-1	Standard	4.88	708120-10	707394X	707395X	707185X	47852-1	47852-1
606778-2	Limited Slip	4.88	708120-10	708097	—	—	47852-1	47852-1
606778-3	Standard	5.38	708120-11	707394X	707395X	707185X	47852-1	47852-1
606778-4	Limited Slip	5.38	708120-11	708097	—	—	47852-1	47852-1
606778-5	Standard	5.38	708120-10	707394X	707395X	707185X	47852-1	47852-1
606778-6	Limited Slip	4.88	708120-10	708097	—	—	47852-1	47852-1
606778-7	Standard	5.38	708120-11	707394X	707395X	707185X	47852-1	47852-1
606778-8	Limited Slip	5.38	708120-11	708097	—	—	47852-1	47852-1
606778-9	Standard	4.30	708120-7	707394X	707395X	707185X	47852-1	47852-1
606778-10	Limited Slip	4.30	708120-7	708097	—	—	47852-1	47852-1
606778-11	Standard	4.30	708120-7	707394X	707395X	707185X	47852-1	47852-1
606778-12	Limited Slip	4.30	708120-7	708097	—	—	47852-1	47852-1
2002 F53 Motor Home - Chassis - Full Float w/ABS								
606779-1	Standard	5.38	708120-11	707394X	707395X	707185X	47852-1	47852-1
606779-2	Limited Slip	4.88	708120-10	708097	—	—	47852-1	47852-1

(7) See Ring Gear & Pinion Kits in XGI Catalog for ratio & tooth combinations.

(8) See Differential Case Assy Kits in XGI Catalog for spline data & ratios.

80 /286 Rear Bill of Material Table



Axle			Axle Kits				Shaft & Joint Assy.	
Bill of Material	Diff. Type	Ratio	Ring Gear & Pinion Kit ⁽⁷⁾	Differential			Right Hand Shaft Assy.	Left Hand Shaft Assy.
				Case Assy. Kit ⁽⁸⁾	Case Kit	Inner Parts Kit		
2002 1/2 F-350 Chassis DRW Full Float w/ABS								
606773-1	Standard	3.73	708120-5	708031	707395X	707063X	47847-3	47847-4
606773-2	Trac Lok	4.10	708120-6	708170	708053	708232	47847-3	47847-4
606773-3	Trac Lok	4.30	708120-7	708170	708053	708232	47847-3	47847-4
606773-4	Standard	3.73	708120-5	708031	707395X	707063X	47847-3	47847-4
606773-5	Standard	3.73	708120-5	708031	707395X	707063X	47847-3	47847-4
606773-6	Trac Lok	4.10	708120-6	708170	708053	708232	47847-3	47847-4
606773-7	Trac Lok	4.30	708120-7	708170	708053	708232	47847-3	47847-4
606774-1	Trac Lok	4.10	708120-6	708170	708053	708232	47847-1	47847-2
606774-2	Trac Lok	4.10	708120-6	708170	708053	708232	47847-1	47847-2
2002 1/2 F-350 Pick-up DRW-Full Float w/ABS								
606775-1	Standard	3.73	708120-5	708031	708032	707063X	47847-1	47847-2
606775-2	Trac Lok	4.10	708120-6	708170	708053	708232	47847-1	47847-2
606775-3	Trac Lok	4.30	708120-7	708170	708053	708232	47847-1	47847-2
606775-4	Standard	3.73	708120-5	708031	708032	707063X	47847-1	47847-2
606775-5	Trac Lok	4.10	708120-6	708170	708053	708232	47847-1	47847-2
606775-6	Trac Lok	4.30	708120-7	708170	708053	708232	47847-1	47847-2

(7) See Ring Gear & Pinion Kits in XGI Catalog for ratio & tooth combinations.

(8) See Differential Case Assy Kits in XGI Catalog for spline data & ratios.

80 /286 Rear Variable Parts Listing

Kits & Parts - Use With All Applications							
Description & Item Number (Refer to "Exploded View" at the front of this section)			Bills of Material				
			605924	605925	605926 605942	605944	606144 606217
1	Inner Pinion Bearing Kit	3	707447X	707447X	707447X	707447X	707065X
2	KIT - Pinion Brg Adj Shim	-	707480X	707480X	707480X	707480X	707066X
3	KIT - Diff & Pinion Shim	-	707481X	707481X	707481X	707481X	707365X
4	Seal - Oil	-	51180	51180	51180	51180	-
5	End Yoke or Comp.Flange (inc 10)	9	3-4-11281-1X	3-4-11281-1X	3-4-11281-1X	3-4-11281-1X	76809X
6	Slinger - End Yoke	10	231872	231872	231872	231872	42432
7	KIT - Carrier Cover	-	707479X	707478X	707479X	707478X	707231X
8	Cover - Carrier	13	47717-1	47843	47717-1	47843	42434
9	Bolt - Carrier Cover(qty 10)	15	34822	47508	34822	34822	34822
10	Gear - Differential (std)	26	42411	43652	42411	43652	42411
11	Seal - Oil (Inner Wheel)	30	47507	47860	47507	47860	47507
12	Bearing Cone - Inner Wheel	31	565906	566071	565906	566071	565906
13	Bearing Cone - Outer Wheel	33	565911	550348	565911	550348-1	565911
14	Retainer - Wheel Bearing (RH)	34	43075	47858	43075	47858	43075
15	Retainer - Wheel Bearing (LH)	-	43075	47858	43075	47858	43075
16	Gasket	35	-	-	-	-	39697
17	Screw & Lockwasher Assy	37	45816	45816	45816	45816	45720
18	Gear - Differential (t/l)	41	47796	-	47796	-	-
19	Pinion - Differential (t/l)	43	47798	-	47798	-	-
20	Retainer Ring / O-Ring	48	47893	-	47893	47857	-
			606224	606225	606226 606227	606228	606263
1	Inner Pinion Bearing Kit	3	707447X	707447X	707447X	707447X	707447X
2	KIT - Pinion Brg Adj Shim	-	707480X	707480X	707480X	707480X	707480X
3	KIT - Diff & Pinion Shim	-	707481X	707481X	707481X	707481X	707481X
4	Seal - Oil	-	51180	51180	51180	51180	51180
5	End Yoke or Comp.Flange (inc 10)	9	84061	84062	84061	84062	3-4-11081-1X
6	Slinger - End Yoke	10	51182	51182	51182	51182	231872
7	KIT - Carrier Cover	-	707479X	707478X	707479X	707478X	707479X
8	Cover - Carrier	13	47717-1	47843	47717-1	47843	47717-1
9	Bolt - Carrier Cover(qty 10)	15	34822	47508	34822	47508	34822
10	Gear - Differential (std)	26	42411	43652	42411	43652	42411
11	Seal - Oil (Inner Wheel)	30	47507	47860	47507	47860	47507
12	Bearing Cone - Inner Wheel	31	565906	566071	565906	566071	565906
13	Bearing Cone - Outer Wheel	33	565911	550378	565911	550348	565911
14	Retainer - Wheel Bearing (RH)	34	43075	47858	43075	47858	43075
15	Retainer - Wheel Bearing (LH)	-	43075	47858	43075	47858	43075
16	Gasket	35	-	-	-	-	-
17	Screw & Lockwasher Assy	37	45816	45816	45816	45816	45816
18	Gear - Differential (t/l)	41	47796	-	47796	-	47796
19	Pinion - Differential (t/l)	43	47798	-	47798	-	47798
20	Retainer Ring / O-Ring	48	47893	47857	47893	47857	47893

80 /286 Rear Variable Parts Listing

Kits & Parts - Use With All Applications							
Description & Item Number (Refer to "Exploded View" at the front of this section)			Bills of Material				
			606310	606321	606609	606610	606611
1	Inner Pinion Bearing Kit	3	707447X	707065X	707447X	707447X	707447X
2	KIT - Pinion Brg Adj Shim	-	707480X	707066X	707480X	707480X	707480X
3	KIT - Diff & Pinion Shim	-	707481X	707365X	707481X	707481X	707481X
4	Seal - Oil	-	51180	-	51180	51180	51180
5	End Yoke or Comp.Flange (inc 10)	9	84061	76809X	84827	84829	84827
6	Slinger - End Yoke	10	51182	42432	84406	84406	84406
7	KIT - Carrier Cover	-	707479X	707231X	707479X	708121	707479X
8	Cover - Carrier	13	47717-1	42434	47717-1	51420	47717-1
9	Bolt - Carrier Cover(qty 10)	15	34822	34822	34822	47508	34822
10	Gear - Differential (std)	26	42411	42411	42411	43652	42411
11	Seal - Oil (Inner Wheel)	30	47507	47507	47507	47860	47507
12	Bearing Cone - Inner Wheel	31	565906	565906	565906	566071	565906
13	Bearing Cone - Outer Wheel	33	565911	565911	565911	550348	565911
14	Retainer - Wheel Bearing (RH)	34	43075	43075	43075	47858	43075
15	Retainer - Wheel Bearing (LH)	-	43075	43075	43075	47858	43075
16	Gasket	35	-	39697	-	-	-
17	Screw & Lockwasher Assy	37	45816	45720	45816	45816	45816
18	Gear - Differential (t/l)	41	47796	-	52139	-	-
19	Pinion - Differential (t/l)	43	47798	-	52141	-	-
20	Retainer Ring / O-Ring	48	47893	-	47893	47857	47893
			606612	606613	606614	606773 606774 606775	606777
1	Inner Pinion Bearing Kit	3	707447X	707447X	707447X	707447X	707447X
2	KIT - Pinion Brg Adj Shim	-	707480X	707480X	707480X	707480X	707480X
3	KIT - Diff & Pinion Shim	-	707481X	707481X	707481X	707481X	707481X
4	Seal - Oil	-	51180	51180	51180	51180	51180
5	End Yoke or Comp.Flange (inc 10)	9	84827	84829	84827	84794	84827
6	Slinger - End Yoke	10	84406	84406	84406	84406	84406
7	KIT - Carrier Cover	-	707479X	708121	707479X	707479X	707479X
8	Cover - Carrier	13	47717-1	51420	47717-1	47717-1	47717-1
9	Bolt - Carrier Cover(qty 10)	15	34822	47508	34822	34822	34822
10	Gear - Differential (std)	26	-	43652	42411	42411	42411
11	Seal - Oil (Inner Wheel)	30	47507	47860	47507	47507	47507
12	Bearing Cone - Inner Wheel	31	565906	566071	565906	565906	565906
13	Bearing Cone - Outer Wheel	33	565911	550348	565911	565911	565911
14	Retainer - Wheel Bearing (RH)	34	43075	47858	43075	43075	43075
15	Retainer - Wheel Bearing (LH)	-	43075	47858	43075	43075	43075
16	Gasket	35	-	-	-	-	-
17	Screw & Lockwasher Assy	37	45816	45816	45816	45816	45816
18	Gear - Differential (t/l)	41	52139	-	52139	52139	52139
19	Pinion - Differential (t/l)	43	52141	-	52141	52141	52141
20	Retainer Ring / O-Ring	48	47893	47857	47893	47893	47893

80 /286 Rear Variable Parts Listing

Kits & Parts - Use With All Applications					
Description & Item Number (Refer to "Exploded View" at the front of this section)			Bills of Material		
			606778 606779	606780 606781	
1	Inner Pinion Bearing Kit	3	707447X	707447X	
2	KIT - Pinion Brg Adj Shim	-	707480X	707480X	
3	KIT - Diff & Pinion Shim	-	707481X	707481X	
4	Seal - Oil	-	51180	51180	
5	End Yoke or Comp.Flange (inc 10)	9	84829	84827	
6	Slinger - End Yoke	10	84406	84406	
7	KIT - Carrier Cover	-	708121	707479X	
8	Cover - Carrier	13	51420	47717-1	
9	Bolt - Carrier Cover(qty 10)	15	47508	34822	
10	Gear - Differential (std)	26	43652	42411	
11	Seal - Oil (Inner Wheel)	30	47860	47507	
12	Bearing Cone - Inner Wheel	31	566071	565906	
13	Bearing Cone - Outer Wheel	33	550348	565911	
14	Retainer - Wheel Bearing (RH)	34	47858	43075	
15	Retainer - Wheel Bearing (LH)	-	47858	43075	
16	Gasket	35	-	-	
17	Screw & Lockwasher Assy	37	45816	45816	
18	Gear - Differential (t/l)	41	-	52139	
19	Pinion - Differential (t/l)	43	-	52141	
20	Retainer Ring / O-Ring	48	47857	47893	

Ford 28IFS Front Optional Camber/Caster Bushing Chart (round)

CASTER			CAMBER			Part Number	Color
Amount of Caster Correction	Right Side	Left Side	Amount of Camber Correction	Right Side	Left Side		
0° 00'	none	none	0 00'	none	none	40218	none
0° 00'	none	none	1 00'	positive (1) negative (2)	positive (1) negative (2)	42981	
1° 00'	positive	do not use	1 00'	positive (1) negative (2)	do not use	43182	

(1) Arrow out

(2) Arrow in

Ford 28IFS and 35IFS Front Optional Camber/Caster Bushing Chart (hexagonal)

Amount of Caster Correction	Right Side	Left Side	Amount of Camber Correction	Part Number	Color
0° 00'	none	none	0 00'	43918	Black
0° 00'	none	none	0 30'	43592	Green
0° 00'	none	none	1 00'	43919	Red
0° 00'	none	none	1 30'	43920	Blue

No Arrows

Ford 44IFS and 50IFS Front Optional Camber/Caster Bushing Chart

CASTER			CAMBER			Part Number	Color
Amount of Caster Correction	Right Side	Left Side	Amount of Camber Correction	Right Side	Left Side		
0° 00'	none	none	0 30'	none	none	42229	none
0° 00'	none	none	1 00'	none	none	43149	Red
0° 00'	none	none	1 30'	none	none	43579	Blue
0° 30'			0 54'	positive (1) negative (2)	positive (1) negative (2)	46580	Black
0° 30'			1 24'	positive (1) negative (2)	positive (1) negative (2)	46579	Yellow

(1) Arrow out

(2) Arrow in

Ford 50 and 60 Front Optional Camber/Caster Bushing Chart

Amount of Caster Correction	Right Side	Left Side	Amount of Camber Correction	Part Number	Color
0° 00'	none	none	0 00'	44507	Black
0° 30'	positive	negative	0 00'	44508	Red
0° 30'	negative	positive	0 00'	44509	Blue
0° 45'	positive	none	0 00'	44510	Green
0° 45'	negative	positive	0 00'	44511	Yellow
0° 00'	positive	negative	0 30'	50421	Pink
0° 30'	negative	positive	0 30'	50422	Orange

No Arrows

Notes: The camber can be used for both positive and nevative applications, unless otherwise noted. For negative camber, point the arrow on the camber adjuster inboard. OPT is for optional bushing.

DIFFERENTIAL BEARING ADJUSTMENT SHIMS

Model 60 Rear & 70 Rear

Part Number	Nominal		Manufacturing Limits	
	MM	Inch	MM	Inch
47560-241	2.41	0.095	2.400/2.423	0.0945/0.0954
47560-254	2.54	0.100	2.527/2.550	0.0995/0.1004
47560-267	2.67	0.105	2.654/2.677	0.1045/0.1054
47560-279	2.79	0.110	2.791/2.804	0.1095/0.1104
47560-292	2.92	0.115	2.908/2.931	0.1145/0.1154
47560-305	3.05	0.120	3.035/3.058	0.1195/0.1204
47560-318	3.18	0.125	3.162/3.185	0.1245/0.1254
47560-330	3.30	0.130	3.289/3.312	0.1295/0.1304
47560-343	3.43	0.135	3.416/3.439	0.1345/0.1354
47560-356	3.56	0.140	3.543/3.566	0.1395/0.1404
47560-368	3.68	0.145	3.670/3.693	0.1445/0.1454
47560-381	3.81	0.150	3.797/3.820	0.1495/0.1504
47560-394	3.94	0.155	3.924/3.947	0.1545/0.1554
47560-406	4.06	0.160	4.051/4.074	0.1595/0.1604
47560-419	4.19	0.165	4.178/4.201	0.1645/0.1654
47560-432	4.32	0.170	4.305/4.328	0.1695/0.1704
47560-445	4.45	0.175	4.432/4.455	0.1745/0.1754
47560-457	4.57	0.180	4.559/4.582	0.1795/0.1804
44848-1	4.61	0.181	4.623/4.597	0.1820/0.1810
44848-2	4.65	0.183	4.661/4.636	0.1835/0.1825
44848-3	4.69	0.185	4.699/4.674	0.1850/0.1840
44848-4	4.72	0.186	4.737/4.712	0.1865/0.1855

Model 80 Rear

Part Number	Nominal		Manufacturing Limits	
	MM	Inch	MM	Inch
44848	4.76	0.188	4.775/4.750	0.1880/0.1870
44848-5	4.76	0.188	4.775/4.750	0.1880/0.1870
44848-6	4.80	0.189	4.813/4.788	0.1895/0.1885
44848-7	4.84	0.191	4.851/4.826	0.1850/0.1900
44848-8	4.88	0.192	4.890/4.864	0.1910/0.1915
44848-9	4.91	0.194	4.928/4.902	0.1940/0.1930
44848-10	4.95	0.195	4.966/4.940	0.1955/0.1945
44848-11	4.99	0.197	5.004/4.978	0.1970/0.1960
44848-12	5.03	0.198	5.042/5.017	0.1985/0.1975
44848-13	5.07	0.200	5.085/5.055	0.2000/0.1990
44848-14	5.11	0.201	5.118/5.093	0.2015/0.2005
44848-15	5.14	0.203	5.156/5.131	0.2030/0.2020
44848-16*	5.18	0.204	5.494/5.169	0.2045/0.2035
44848-17	5.22	0.205	5.232/5.207	0.2006/0.2050
44848-18*	5.26	0.207	5.271/5.245	0.2075/0.2065
44848-20*	5.33	0.210	5.347/5.321	0.2105/0.2095
44848-21	5.37	0.211	5.385/5.359	0.2120/0.2110
44848-22*	5.41	0.213	5.423/5.398	0.2135/0.2125
44848-23	5.45	0.215	5.461/5.436	0.2150/0.2140
44848-24*	5.41	0.216	5.499/5.474	0.2165/0.2155
44848-25	5.57	0.218	5.537/5.512	0.2180/0.1170
44848-26*	5.51	0.219	5.575/5.550	0.2195/0.2185
44848-27	5.67	0.221	5.613/5.588	0.2210/0.1200
44848-28*	5.61	0.222	5.652/5.626	0.2225/0.2215
44848-29	5.67	0.224	5.690/5.664	0.2240/0.1230
44848-30*	5.71	0.225	5.728/5.702	0.2255/0.2245
44848-31	5.77	0.227	5.766/5.740	0.2270/0.1260
44848-32*	5.71	0.228	5.804/5.779	0.2285/0.2275
44848-33	5.87	0.230	5.842/5.817	0.2300/0.1290
44848-34*	5.81	0.231	5.880/5.855	0.2315/0.2305
44848-35	5.97	0.233	5.918/5.893	0.2330/0.1320
44848-36*	5.91	0.234	5.956/5.931	0.2345/0.2335
44848-37	5.97	0.235	5.994/5.969	0.2360/0.1350
44848-38*	6.01	0.237	6.033/6.007	0.2375/0.2365
44848-39	6.01	0.238	6.071/6.045	0.2395/0.2385
44848-40*	6.11	0.240	6.109/6.083	0.2405/0.2395
44848-41	6.13	0.241	6.147/6.121	0.2420/0.2410

Model 70 Rear

Part Number	Nominal		Manufacturing Limits	
	MM	Inch	MM	Inch
48849	6.48	0.255	6.464/6.487	0.2545/0.2554
48849-648	6.48	0.255	6.464/6.487	0.2545/0.2554
48849-635	6.35	0.250	6.237/6.360	0.2495/0.2504
48849-622	6.22	0.245	6.210/6.233	0.2445/0.2454
48849-610	6.10	0.240	6.083/6.106	0.2395/0.2404
48849-597	5.97	0.235	5.956/5.979	0.2345/0.2354
48849-584	5.84	0.230	5.829/5.852	0.2295/0.2304
48849-572	5.72	0.225	5.702/5.725	0.2245/0.2254
48849-559	5.59	0.220	5.575/5.598	0.2195/0.2204
48849-546	5.46	0.215	5.448/5.471	0.2145/0.2154
48849-533	5.33	0.210	5.321/5.344	0.2095/0.2104
48849-521	5.21	0.205	5.194/5.217	0.2045/0.2054
48849-508	5.08	0.200	5.067/5.090	0.1995/0.2004
48849-495	4.95	0.195	4.940/4.963	0.1945/0.1954
48849-483	4.83	0.190	4.813/4.836	0.1895/0.1904
48849-470	4.70	0.185	4.686/4.709	0.1845/0.1854
48849-457	4.57	0.180	4.559/4.582	0.1795/0.1804

* Included in Kit 701133X



Dana Corporation
**Heavy Vehicle Technologies &
Systems Service**
PO Box 321
Toledo, Ohio 43697-0321
1-800-SAY-DANA (729-3262)

www.spicerparts.com

Dana Corporation
**Heavy Vehicle Technologies &
Systems Service - Canada**
5095 South Service Road
Beamsville, Ontario LOR 1B0
Tech Service: (905) 563-4991

Dana Corporation
**Heavy Vehicle Technologies &
Systems Service - International**
(419) 861-6325